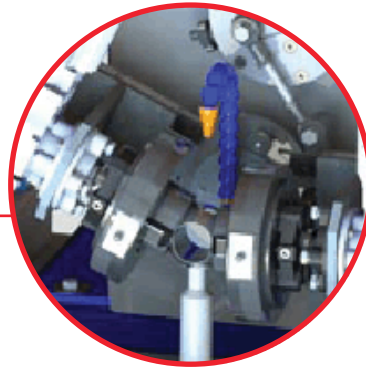


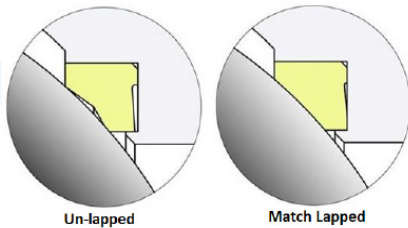
LBVS 250

LAPMASTER®

BALL VALVE MATCH LAPPING MACHINE



The Lapmaster LBVS ball valve lapping machine has been developed to maintain very accurate spherical surfaces on a variety of Ball Valves. The machine match laps two Seats to the valve, achieving a perfect mechanical seal for any pressure requirement.



This system is effective on most materials including ceramic, graphite, ferrous metals, alloyed metals and sterlite coatings.

This heavy-duty production system is a floor-standing machine utilising a Tubular Steel Base for stability & durability. It is arranged for the use of a single independent production work station. The machine's controls are located on the side, maximising process visibility. The easy-access, well-lit ergonomic design work area utilises non-corrosive construction for cleanliness.

The machine is equipped with an angle adjustable lapping arm unit. A cam unit allows the Arm to sweep up & down, ensuring complete even lap over the Valve face.

The stand-alone system is CE compliant and features transparent polycarbonate. The system can be configured for a range of three phase electrical services. An operational air service of 0.35 MPa (50psi) is required.

STANDARD FEATURES

- Processing of 100 - 250mm outside diameter balls.
- Stainless - Stainless lapping.
- Ergonomic with easy access.
- Transparent polycarbonate guarding.
- Well lit work area.
- CE compliant.
- Pneumatically assisted pressure on components reduces process time and enhances repeatability.
- Syringe compound delivery system for precise lapping compound distribution.
- Digital RPM displays.
- Electronic digital timer, 0.1 - 999 hours.
- Customised tooling available.

STANDARD TOOLING

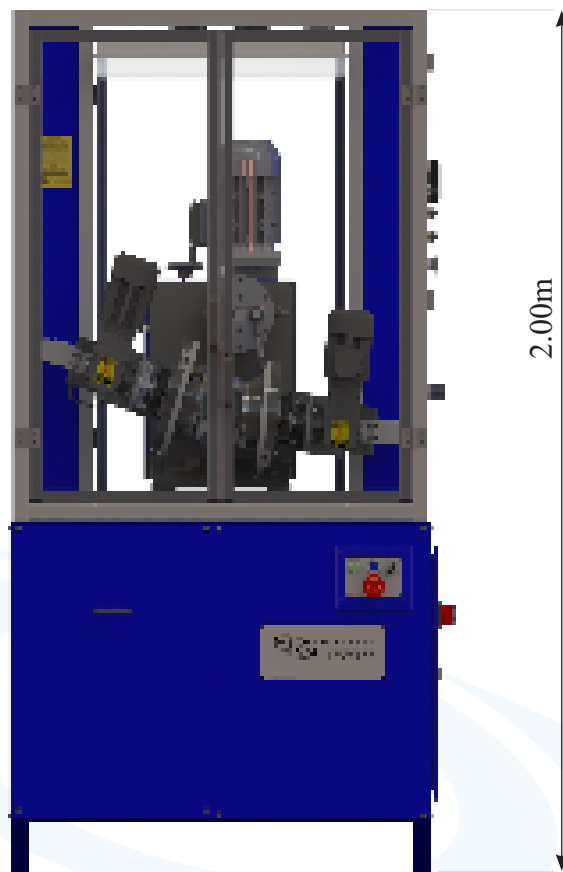
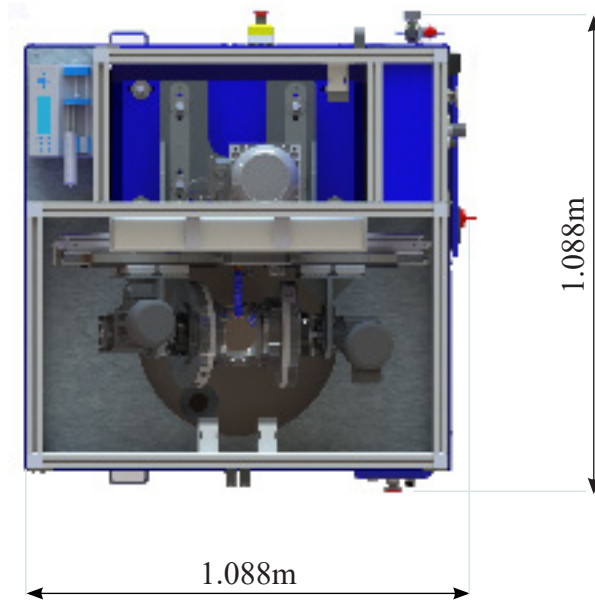
- One set of standard tooling
- Customised tooling available.
- Operation and maintenance manual.

APPROXIMATE WEIGHT

- 680 kg.

SERVICES

- Electrical: Three phase 50/60Hz
- Air: 0.4 MPa / 50 PSI.



LAPMASTER MACHINES

- Conventional Flat Lapping
- Diamond Flat Lapping
- Fine Grinding
- Honing
- Optical Polishing
- Spherical Lapping / Polishing
- Double Disc Grinding
- Brush Deburring
- Profile Grinding

CONSUMABLES

- Loose Abrasive Powders
- Lapping Oil
- Diamond Slurry
- Diamond Lubricating Fluid
- Polishing Paper
- Conventional Lapping

ACCESSORIES

- Flatness Gauges
- Optical Flats
- Monochromatic Light Units
- Hand Lap Plates
- Polishing Stands
- Ultrasonic Cleaning Systems

Lapmaster Wolters Ltd

International Lapping and Polishing Machine Systems

Lee Mill Industrial Estate, Ivybridge, Devon, PL21 9EN UK

T: + 44 (0)1752 893191 **F:** + 44 (0)1752 896355 **E:** sales@lapmaster-wolters.co.uk

www.lapmaster-wolters.co.uk

