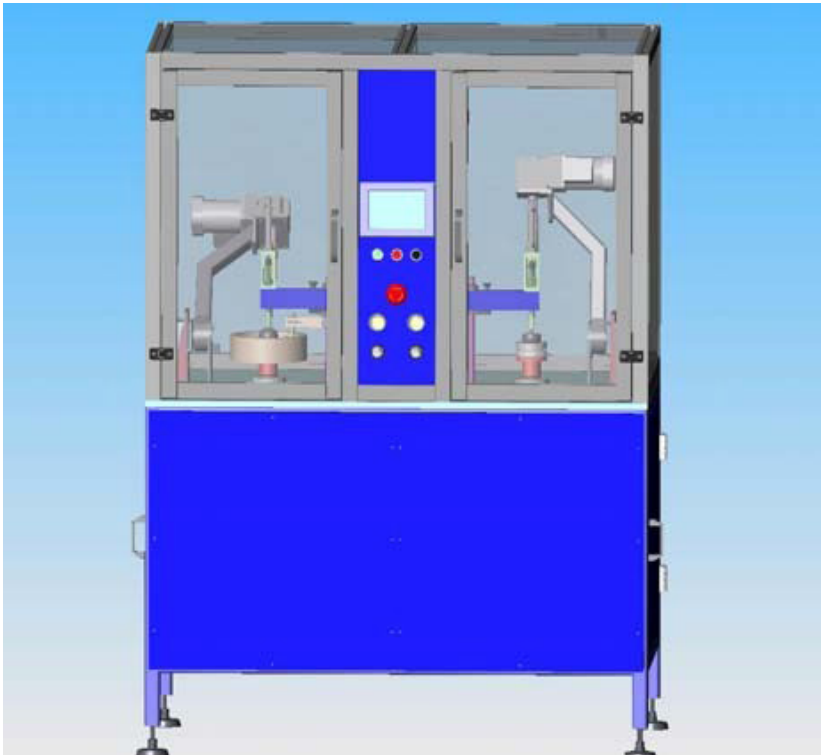


## SPHERICAL LAPPING / POLISHING MACHINE



Lapmaster-Wolters 3-Axis Spherical Lapping and Polishing System has been developed to produce very accurate spherical surfaces on a variety of components and materials.

Spherical tolerance accuracy to within 1 micron is possible on scratch-free, mirror finish high-quality surfaces (applies to both male-female devices).

This system is effective on most materials including ceramic, natural metals and alloyed metals. Applications

including;

- Prosthetic Devices
- Valve Assemblies
- Pump Components
- Bearing Manufacturing

This heavy-duty production system is a floor-standing machine utilizing a Tubular Steel Base for stability & durability. It is arranged for the use of two (2) independent production work stations. Each work station has its' own controls, so different devices are processed at each station.

The easy-access, well-lit ergonomic design work area utilises non-corrosive construction for cleanliness.

The stand-alone system is –CE compliant and features seethru safety/splash guard. The system can be configured for either 110V or 230V electrical service. An operational air service of 60 psi is required.

### STANDARD FEATURES

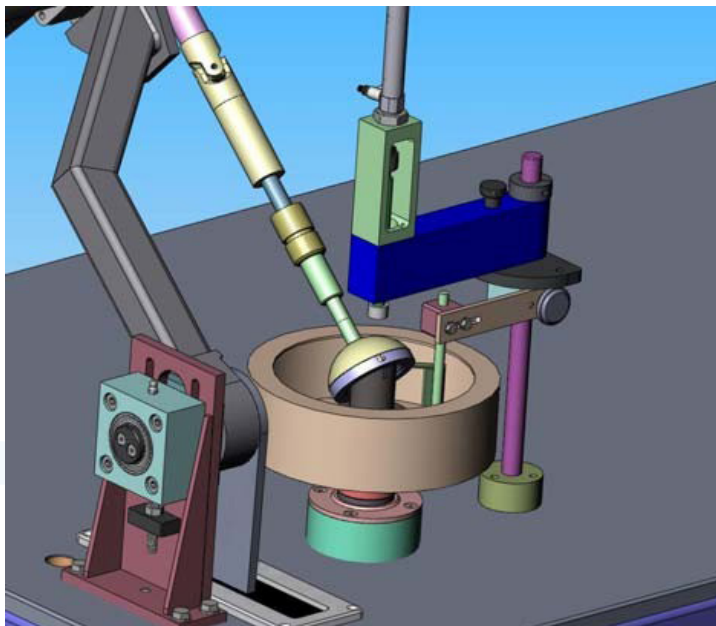
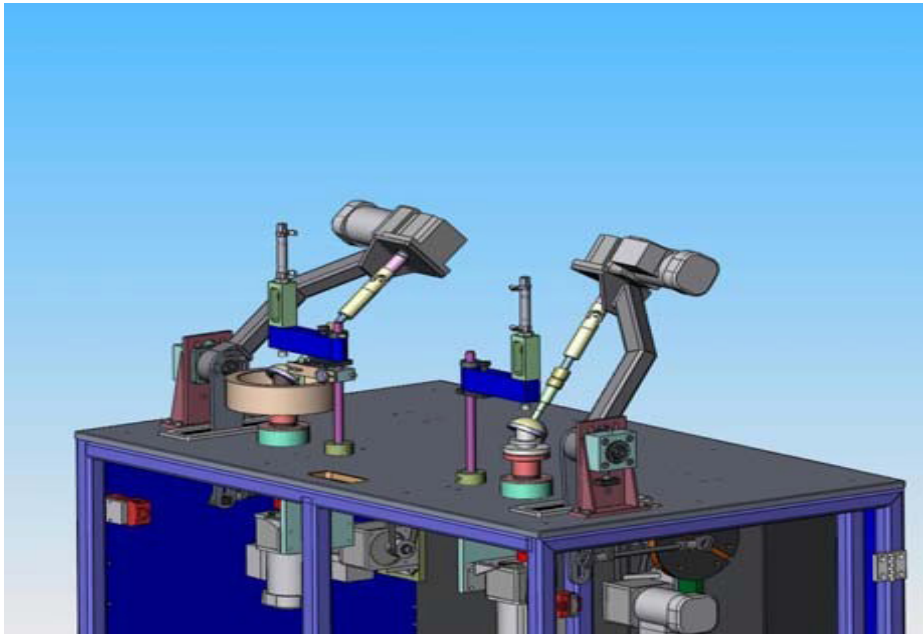
- Simultaneous and fully independent operation of the 2 work stations
- Standard system can process 1"-4" spheres
- Non-corrosive materials used in the work area
- Ergonomic, easy-access, well lit work area
- CE compliant.
- Adjustable kinematics for all 3-axis motions
- Pneumatically-assisted pressure on components reduces processing time, enhances repeatability
- Customized Tooling available for additional diameter sphere sizes

### STANDARD TOOLING

- One set of tooling
- Operation and maintenance manual.

### GENERAL MACHINE DATA

- Approx. weight 1050kg
- Width 914mm
- Depth 1400mm
- Height 2185mm
- Single phase 50/60Hz



## LAPMASTER-WOLTERS MACHINES

- Conventional Flat Lapping
- Diamond Flat Lapping
- Fine Grinding
- Honing
- Optical Polishing
- Spherical Lapping / Polishing
- Double Disc Grinding

## CONSUMABLES

- Loose Abrasive Powders
- Lapping Oil
- Diamond Slurry
- Diamond Lubricating Fluid
- Polishing Paper

## ACCESSORIES

- Flatness Gauges
- Optical Flats
- Monochromatic Light Units
- Hand Lap Plates
- Polishing Stands
- Ultrasonic Cleaning Systems

## CONTRACT SERVICES

- Contract lapping
- Contract fine grinding

LAPMASTER WOLTERS  
501 W. Algonquin Rd. Mount Prospect, IL 60056  
T: 224.659.7101 F: 224.659.7103 E:  
sales@lapmaster-wolters.com  
www.lapmaster-wolters.com

