



**16:1**  
**6:1**

LEICA Z6 APOA

*Leica*

The image shows a close-up of a white Leica microscope objective lens. The lens is mounted on a black base. The text '16:1' and '6:1' is printed in large, bold, black font on the left side of the lens. The Leica logo is visible on the bottom of the lens. The text 'LEICA Z6 APOA' is printed vertically on the right side of the lens. The background is a light gray gradient.

# Leica Zoom Systems

Technical Information

Living up to Life

*Leica*  
MICROSYSTEMS

# Leica Z6 APO & Z16 APO, Z6 APO A & Z16 APO A

## Technical Data, Performance Characteristics



| Zoom system  | Leica Z6 APO   | Leica Z16 APO   | Leica Z6 APO A  | Leica Z16 APO A   |
|--|--|---|---|---|
| Type   | Apochromatic zoom system with central beam path, lead-free | Apochromatic zoom system with central beam path, lead-free          | Apochromatic zoom system with central beam path, lead-free, motorized functions | Apochromatic zoom system with central beam path, lead-free, motorized functions |
| Zoom   | 6.3:1  | 16:1  | 6.3:1, motorized  | 16:1, motorized   |
| Zoom factor  | 0.57× – 3.6×   | 0.57× – 9.2×  | 0.57× – 3.6×  | 0.57× – 9.2×  |
| Built-in iris diaphragm  | for adjusting the depth of field                           | for adjusting the depth of field                                    | for adjusting the depth of field, motorized                                     | for adjusting the depth of field, motorized                                     |
| Switchable approachable positions for repetitive tasks   | 0.57 / 0.8 / 1 / 1.25 / 1.6 / 2 / 2.5 / 3.2 / 3.6          | 0.57 / 0.8 / 1 / 1.25 / 1.6 / 2 / 2.5 / 3.2 / 4 / 5 / 6.3 / 8 / 9.2 | continuously motorized and approachable positions                               | continuously motorized and approachable positions                               |
| Zoom travel speed  | –  | –   | 1.6 s for zoom range  | 2.5 s for zoom range  |
| <b>Visual data with 1× planapochromatic objective / 10× eyepieces / 1.25× Y tube</b>                           |  |   |   |   |
| Magnification  | 7.1× – 45×   | 7.1 – 115×  | 7.1× – 45×  | 7.1× – 115×   |
| Resolution   | 60 – 351 Lp/mm   | 51 – 336 Lp/mm  | 60 – 351 Lp/mm  | 51 – 336 Lp/mm  |
| Visible structural width   | 8.3 – 1.4 μm   | 9.8 – 1.49 μm   | 8.3 – 1.4 μm  | 9.8 – 1.49 μm   |
| Numerical aperture   | 0.02 – 0.117nA   | 0.017 – 0.112nA   | 0.02 – 0.117nA  | 0.017 – 0.112nA   |
| Object field Ø   | 32.3 mm – 5.1 mm   | 32.3 mm – 2.0 mm  | 29.5 mm – 4.7 mm  | 29.5 mm – 1.83 mm   |
| Depth of field (diaphragm open)  | 3.1 mm – 0.09 mm   | 3.8 mm – 0.05 mm  | 3.1 mm – 0.09 mm  | 3.8 mm – 0.05 mm  |
| Depth of field (diaphragm closed)  | 18.1 mm – 0.4 mm   | 18.4 mm – 0.4 mm  | 18.1 mm – 0.4 mm  | 18.4 mm – 0.4 mm  |
| <b>Visual data with 2× planapochromatic objective / 40× eyepieces / 1.25× Y tube</b>                           |  |   |   |   |
| Magnification  | 57× – 360×   | 57× – 920×  | 57× – 360×  | 57× – 920×  |
| Resolution   | 120 – 702 Lp/mm  | 102 – 672 Lp/mm   | 120 – 702 Lp/mm   | 102 – 672 Lp/mm   |
| Visible structural width   | 4.2 – 0.7 μm   | 4.9 – 0.74 μm   | 4.2 – 0.7 μm  | 4.9 – 0.74 μm   |
| Numerical aperture   | 0.04 – 0.234nA   | 0.034 – 0.224nA   | 0.04 – 0.234nA  | 0.034 – 0.224nA   |
| Object field Ø   | 4.2 mm – 0.67 mm   | 4.2 mm – 0.26 mm  | 4.2 mm – 0.67 mm  | 4.2 mm – 0.26 mm  |
| <b>Data with Leica DFC490 digital camera / 1× planapochromatic objective / AS tube / 0.63× video objective</b> |  |   |   |   |
| Magnification Chip: Object   | 0.36× – 2.3×   | 0.36× – 5.8×  | 0.36× – 2.3×  | 0.36× – 5.8×  |
| Digital resolution*  | 33.3 – 210 Lp/mm   | 33.3 – 336 Lp/mm  | 33.3 – 210 Lp/mm  | 33.3 – 336 Lp/mm  |
| Object field projected onto chip   | 24.5 mm × 18.4 mm / 3.9 mm × 2.9 mm                        | 24.5 mm × 18.4 mm / 1.5 mm × 1.14 mm                                | 24.5 mm × 18.4 mm / 3.9 mm × 2.9 mm   | 24.5 mm × 18.4 mm / 1.5 mm × 1.14 mm  |
| Depth of field (diaphragm open)  | 1.06 mm – 0.03 mm  | 1.4 mm – 0.03 mm  | 1.06 mm – 0.03 mm   | 1.4 mm – 0.03 mm  |
| Depth of field (diaphragm closed)  | 10.7 mm – 0.26 mm  | 10.9 mm – 0.3 mm  | 10.7 mm – 0.26 mm   | 10.9 mm – 0.3 mm  |



| <b>Optical accessories</b>                                 | <b>Leica Z6 APO &amp; Z6 APO</b>  | <b>Leica Z6 APO A &amp; Z16 APO A</b>   |
|--|---|---|
| Objectives   | <ul style="list-style-type: none"> <li>– planapochromatic 1×, 2×, 0.8×, 0.5×, 5×</li> <li>– achromatic objectives M series 0.63×, 0.5×, 0.32×, lead-free</li> </ul>   | <ul style="list-style-type: none"> <li>– planapochromatic 1×, 2×, 0.8×, 0.5×, 5×</li> <li>– achromatic objectives M series 0.63×, 0.5×, 0.32×, lead-free</li> </ul>   |
| Working distance   | <ul style="list-style-type: none"> <li>– 187 mm (planapochromat 0.5×)</li> <li>– 97 mm (planapochromat 1×)</li> <li>– 112 mm (planapochromat 0.8×)</li> <li>– 39 mm (planapochromat 2×)</li> <li>– 19 mm (planapochromat 5.0×)</li> </ul>     | <ul style="list-style-type: none"> <li>– 187 mm (planapochromat 0.5×)</li> <li>– 97 mm (planapochromat 1×)</li> <li>– 112 mm (planapochromat 0.8×)</li> <li>– 39 mm (planapochromat 2×)</li> <li>– 19 mm (planapochromat 5.0×)</li> </ul>     |
| Objective adapter  | <ul style="list-style-type: none"> <li>– for M series achromats</li> <li>– for HR objectives 10× and 20×</li> <li>– for DM objectives 10× and 20×</li> </ul>  | <ul style="list-style-type: none"> <li>– for M series achromats</li> <li>– for HR objectives 10× and 20×</li> <li>– for DM objectives 10× and 20×</li> </ul>  |
| HR objectives*   | <ul style="list-style-type: none"> <li>– HR 10×/0.45, working distance 19 mm</li> <li>– HR 20×/0.42, working distance 13 mm</li> </ul>  | <ul style="list-style-type: none"> <li>– HR 10×/0.45, working distance 19 mm</li> <li>– HR 20×/0.42, working distance 13 mm</li> </ul>  |
| DM objectives*   | <ul style="list-style-type: none"> <li>– DM objective N Plan L 20× /0.40 corr</li> <li>– DM objective N Plan 10× /0.25–/A5.8</li> </ul>   | <ul style="list-style-type: none"> <li>– DM objective N Plan L 20× /0.40 corr</li> <li>– DM objective N Plan 10× /0.25–/A5.8</li> </ul>   |
| Fine focusing  | 10-mm path, optional  | 10-mm path, motorized and integrated  |
| Binocular tubes, ergonomics                                | <ul style="list-style-type: none"> <li>– inclined and straight binocular tubes</li> <li>– apochromatic ErgoTube®</li> <li>10° – 50° with synchronous interpupillary distance adjustment</li> <li>– various ErgoModules® (optional)</li> </ul> | <ul style="list-style-type: none"> <li>– inclined and straight binocular tubes</li> <li>– apochromatic ErgoTube®</li> <li>10° – 50° with synchronous interpupillary distance adjustment</li> <li>– various ErgoModules® (optional)</li> </ul> |
|  | <i>ErgoTube® and ErgoModule® are registered in the United States Patent and Trademark Office</i>  | <i>ErgoTube® and ErgoModule® are registered in the United States Patent and Trademark Office</i>  |
| Interpupillary distance                                    | 55 mm – 75 mm   | 55 mm – 75 mm   |
| Ergonomic wide-field eyepieces for persons wearing glasses | 10×/21, 16×/14, 25×/9.5, 40×/6, distortion-free<br>plug-on eyecups to protect against infections  | 10×/21, 16×/14, 25×/9.5, 40×/6, distortion-free<br>plug-on eyecups to protect against infections  |
| Electrical Interface                                       |   | RS232, USB via motorized focus  |

\* suitable for upper zoom range only

# Optical Data – Visual Data with Y Tube 1.25×

| Objectives        |               | 1× planapochromat |                | 0.5× planapochromat |                | 0.8× planapochromat |                | 2× planapochromat |                | 5× planapochromat |                |
|-------------------|---------------|-------------------|----------------|---------------------|----------------|---------------------|----------------|-------------------|----------------|-------------------|----------------|
| Working distances |               | 97 mm             |                | 187 mm              |                | 112 mm              |                | 39 mm             |                | 20 mm             |                |
| Eyepieces         | Zoom position | Total mag.        | Object field Ø | Total mag.          | Object field Ø | Total mag.          | Object field Ø | Total mag.        | Object field Ø | Total mag.        | Object field Ø |
|                   |               | ×                 | mm             | ×                   | mm             | ×                   | mm             | ×                 | mm             | ×                 | mm             |
| 10×/23B           | 0.57          | 7.1               | 32.3           | 3.6                 | 64.6           | 5.7                 | 40.4           | 14.3              | 16.1           | 35.6              | 6.5            |
|                   | 0.8           | 10                | 23.0           | 5                   | 46.0           | 8                   | 28.8           | 20                | 11.5           | 50                | 4.6            |
|                   | 1             | 12.5              | 18.4           | 6.3                 | 36.8           | 10                  | 23.0           | 25                | 9.2            | 62.5              | 3.7            |
|                   | 1.25          | 15.6              | 14.7           | 7.8                 | 29.4           | 12.5                | 18.4           | 31.3              | 7.4            | 78.1              | 2.9            |
|                   | 1.6           | 20                | 11.5           | 10                  | 23.0           | 16                  | 14.4           | 40                | 5.8            | 100               | 2.3            |
|                   | 2             | 25                | 9.2            | 12.5                | 18.4           | 20                  | 11.5           | 50                | 4.6            | 125               | 1.8            |
|                   | 2.5           | 31.3              | 7.4            | 15.6                | 14.7           | 25                  | 9.2            | 62.5              | 3.7            | 156.3             | 1.5            |
|                   | 3.2           | 40                | 5.8            | 20                  | 11.5           | 32                  | 7.2            | 80                | 2.9            | 200               | 1.2            |
|                   | 3.6           | 45                | 5.1            | 22.5                | 10.2           | 36                  | 6.4            | 90                | 2.6            | 225               | 1.0            |
|                   | 4             | 50                | 4.6            | 25                  | 9.2            | 40                  | 5.8            | 100               | 2.3            | 250               | 0.9            |
|                   | 5             | 62.5              | 3.7            | 31.3                | 7.4            | 50                  | 4.6            | 125               | 1.8            | 312.5             | 0.7            |
|                   | 6.3           | 78.8              | 2.9            | 39.4                | 5.8            | 63                  | 3.7            | 157.5             | 1.5            | 393.8             | 0.6            |
| 8                 | 100           | 2.3               | 50             | 4.6                 | 80             | 2.9                 | 200            | 1.2               | 500            | 0.5               |                |
| 9.2               | 115           | 2.0               | 57.5           | 4.0                 | 92             | 2.5                 | 230            | 1.0               | 575            | 0.4               |                |
| 16×/15B           | 0.57          | 11.4              | 21.1           | 5.7                 | 42.1           | 9.1                 | 26.3           | 22.8              | 10.5           | 57                | 4.2            |
|                   | 0.8           | 16                | 15.0           | 8                   | 30.0           | 12.8                | 18.8           | 32                | 7.5            | 80                | 3.0            |
|                   | 1             | 20                | 12.0           | 10                  | 24.0           | 16                  | 15.0           | 40                | 6.0            | 100               | 2.4            |
|                   | 1.25          | 25                | 9.6            | 12.5                | 19.2           | 20                  | 12.0           | 50                | 4.8            | 125               | 1.9            |
|                   | 1.6           | 32                | 7.5            | 16                  | 15.0           | 25.6                | 9.4            | 64                | 3.8            | 160               | 1.5            |
|                   | 2             | 40                | 6.0            | 20                  | 12.0           | 32                  | 7.5            | 80                | 3.0            | 200               | 1.2            |
|                   | 2.5           | 50                | 4.8            | 25                  | 9.6            | 40                  | 6.0            | 100               | 2.4            | 250               | 1.0            |
|                   | 3.2           | 64                | 3.8            | 32                  | 7.5            | 51.2                | 4.7            | 128               | 1.9            | 320               | 0.8            |
|                   | 3.6           | 72                | 3.3            | 36                  | 6.7            | 57.6                | 4.2            | 144               | 1.7            | 360               | 0.7            |
|                   | 4             | 80                | 3.0            | 40                  | 6.0            | 64                  | 3.8            | 160               | 1.5            | 400               | 0.6            |
|                   | 5             | 100               | 2.4            | 50                  | 4.8            | 80                  | 3.0            | 200               | 1.2            | 500               | 0.5            |
|                   | 6.3           | 126               | 1.9            | 63                  | 3.8            | 100.8               | 2.4            | 252               | 1.0            | 630               | 0.4            |
| 8                 | 160           | 1.5               | 80             | 3.0                 | 128            | 1.9                 | 320            | 0.8               | 800            | 0.3               |                |
| 9.2               | 184           | 1.3               | 92             | 2.6                 | 147.2          | 1.6                 | 368            | 0.7               | 920            | 0.3               |                |
| 25×/9.5B          | 0.57          | 17.8              | 13.3           | 8.91                | 26.7           | 14.3                | 16.7           | 35.6              | 6.7            | 89                | 2.7            |
|                   | 0.8           | 25                | 9.5            | 12.5                | 19.0           | 20                  | 11.9           | 50                | 4.8            | 125               | 1.9            |
|                   | 1             | 31.3              | 7.6            | 15.6                | 15.2           | 25                  | 9.5            | 62.5              | 3.8            | 156               | 1.5            |
|                   | 1.25          | 39.1              | 6.1            | 19.5                | 12.2           | 31.3                | 7.6            | 78.1              | 3.0            | 195               | 1.2            |
|                   | 1.6           | 50                | 4.8            | 25                  | 9.5            | 40                  | 5.9            | 100               | 2.4            | 250               | 1.0            |
|                   | 2             | 62.5              | 3.8            | 31.3                | 7.6            | 50                  | 4.8            | 125               | 1.9            | 313               | 0.8            |
|                   | 2.5           | 78.1              | 3.0            | 39.1                | 6.1            | 62.5                | 3.8            | 156               | 1.5            | 391               | 0.6            |
|                   | 3.2           | 100               | 2.4            | 50                  | 4.8            | 80                  | 3.0            | 200               | 1.2            | 500               | 0.5            |
|                   | 3.6           | 113               | 2.1            | 56.3                | 4.2            | 90                  | 2.6            | 225               | 1.1            | 562               | 0.4            |
|                   | 4             | 125               | 1.9            | 62.5                | 3.8            | 100                 | 2.4            | 250               | 1.0            | 625               | 0.4            |
|                   | 5             | 156               | 1.5            | 78.1                | 3.4            | 125                 | 1.9            | 313               | 0.8            | 781               | 0.3            |
|                   | 6.3           | 197               | 1.2            | 98.4                | 2.4            | 158                 | 1.5            | 394               | 0.6            | 984               | 0.2            |
| 8                 | 250           | 1.0               | 125            | 1.9                 | 200            | 1.2                 | 500            | 0.5               | 1250           | 0.2               |                |
| 9.2               | 288           | 0.8               | 144            | 1.6                 | 230            | 1.0                 | 575            | 0.4               | 1438           | 0.2               |                |
| 40×/6B            | 0.57          | 28.5              | 8.4            | 14.3                | 16.8           | 22.8                | 10.5           | 57                | 4.2            | 143               | 1.7            |
|                   | 0.8           | 40                | 6.0            | 20                  | 12.0           | 32                  | 7.5            | 80                | 3.0            | 200               | 1.2            |
|                   | 1             | 50                | 4.8            | 25                  | 9.6            | 40                  | 6.0            | 100               | 2.4            | 250               | 1.0            |
|                   | 1.25          | 62.5              | 3.8            | 31.3                | 7.7            | 50                  | 4.8            | 125               | 1.9            | 313               | 0.8            |
|                   | 1.6           | 80                | 3.0            | 40                  | 6.0            | 64                  | 3.8            | 160               | 1.5            | 400               | 0.6            |
|                   | 2             | 100               | 2.4            | 50                  | 4.8            | 80                  | 3.0            | 200               | 1.2            | 500               | 0.5            |
|                   | 2.5           | 125               | 1.9            | 62.5                | 3.8            | 100                 | 2.4            | 250               | 1.0            | 625               | 0.4            |
|                   | 3.2           | 160               | 1.5            | 80                  | 3.0            | 128                 | 1.9            | 320               | 0.8            | 800               | 0.3            |
|                   | 3.6           | 180               | 1.3            | 90                  | 2.7            | 144                 | 1.7            | 360               | 0.7            | 900               | 0.3            |
|                   | 4             | 200               | 1.2            | 100                 | 2.4            | 160                 | 1.5            | 400               | 0.6            | 1000              | 0.2            |
|                   | 5             | 250               | 1.0            | 125                 | 1.9            | 200                 | 1.2            | 500               | 0.5            | 1250              | 0.2            |
|                   | 6.3           | 315               | 0.8            | 158                 | 1.5            | 252                 | 1.0            | 630               | 0.4            | 1575              | 0.2            |
| 8                 | 400           | 0.6               | 200            | 1.2                 | 320            | 0.8                 | 800            | 0.3               | 2000           | 0.1               |                |
| 9.2               | 460           | 0.5               | 230            | 1.0                 | 368            | 0.7                 | 920            | 0.3               | 2300           | 0.1               |                |

Z6 APO / Z6 APO A: Zoom 0.57× – 3.6×  
 Z16 APO / Z16 APO A: Zoom 0.57× – 9.2×

# Major User Segments

| <b>General</b>                       |  |
|--------------------------------------|--|
| Documentation                        | <ul style="list-style-type: none"> <li>– Parallax-free precise imaging</li> <li>– Ideal for multi-focus applications</li> </ul>                              |
| Polarization                         | <ul style="list-style-type: none"> <li>– Axial imaging for true polarization colors</li> </ul>   |
| Measuring, analysis                  | <ul style="list-style-type: none"> <li>– Parallax-free precise imaging</li> </ul>  |
| <b>Technology, industry</b>          |  |
| OEM                                  | Checking the production flow, detection of position and orientation  |
| Semiconductor industry               | <ul style="list-style-type: none"> <li>– Testing, checking, sorting semiconductor components</li> <li>– Inspecting gallium arsenide wafers (GaAs)</li> </ul> |
| Microelectronics                     | Inspecting flex circuits and inkjet print heads  |
| Fiber optic cable technology         | <ul style="list-style-type: none"> <li>– Aligning fiber optic cables</li> <li>– Inspecting laser diodes</li> </ul>   |
| Measuring and test facilities        | Materials testing and measuring, placement of test probes  |
| Metalworking industry                | Quality control, testing metallographic specimens, documentation   |
| Plastics industry                    | <ul style="list-style-type: none"> <li>– Structural examinations of thin sections</li> <li>– Polarization-optical testing</li> </ul>                         |
| Gemology                             | Inspection and classification of diamonds and gemstones  |
| Implants                             | Control of coated stents (vascular supports) and catheters   |
| Criminology                          | Sorting and documentation of trace materials such as fibers, human and animal hair, ammunition and documents (counterfeit). Documentation of impressions.    |
| <b>Natural science, life science</b> |  |
| Biology                              | Examination and documentation of illnesses, pests and ecological damages to plants   |
| Geology                              | Testing petrological thin sections in polarized light  |
| Medicine                             | Examination and documentation of histological thin sections  |
| Education, training                  | Observing and demonstrating processes  |
| Entomology                           | Documentation of beetles and insects   |
| Pathology                            | Documenting organs   |



# ARTICLE DESCRIPTIONS

## Eyepieces and graticules

Wide-field eyepieces for persons wearing glasses 10x /23, distortion-free, dioptic correction, with eyecups\* – can lead to vignetting when used with other accessories, such as ergonomic or documentation tubes.

Remedy: Use ErgoTube 45° or 16x eyepieces

Wide-field eyepieces for persons wearing glasses 16x/15, distortion-free, dioptic correction, with eyecups\*

Wide-field eyepieces for eyeglass wearers 25x/9.5,

distortion-free, dioptic correction, with eyecups\*

Wide-field eyepieces for eyeglass wearers 40x/6,

distortion-free, dioptic correction, with eyecups\*  
\* replaceable

Replacement eyecups for wide-field eyepieces for persons wearing glasses (not shown)

10 450 054 Graticule for encoded M series

10 450 116 Graticule, 5mm/0.05mm

10 450 117 Graticule, 10mm/0.1mm

10 450 118 Graticule, 100 Div./0.001

10 450 119 Graticule, crosshair

## Tubes, ergonomics and integrated camera modules

10 450 252 Inclined binocular tube, 45° viewing angle

10 450 156 Binocular ErgoTube® with 45° viewing angle and long tubes, extension factor 1.6x

10 450 157 Straight binocular tube with 90° viewing angle

10 450 158 Binocular ErgoTube® with variable viewing angle 10° – 50°

10 450 042 Trinocular video-/phototube 50%, 30° viewing angle

10 450 043 Trinocular video-/phototube 100%, 30° viewing angle

10 450 044 Trinocular video-/phototube 100%, 5° – 45° viewing angle

10 446 123 ErgoWedge® 5° – 25° (not to be used with trinocular tubes)

10 346 910 ErgoWedge® ±15 (not to be used with trinocular tubes)

10 450 301 Video-/phototube HD F, 50%, 50%

10 450 302 Video-/phototube HD V, 100%, 50%, 50%, 100%

12 730 216 Leica IC80 HD camera kit

12 730 054 Leica IC D camera kit

10 447 158 Filter slide housing with 2 filter slides

## Microscope carriers and accessories

10 446 343 Focusing arm for probers

10 450 174 Tiltable focusing arm

10 446 344 Focusing arm for columns Ø 25mm to bonders

10 447 259 Photo column, inclinable, Ø 25mm

10 450 173 Microscope carrier for focusing drive 10 450 217

10 450 106 Microscope carrier, compatible with M50/M80, S and Z series

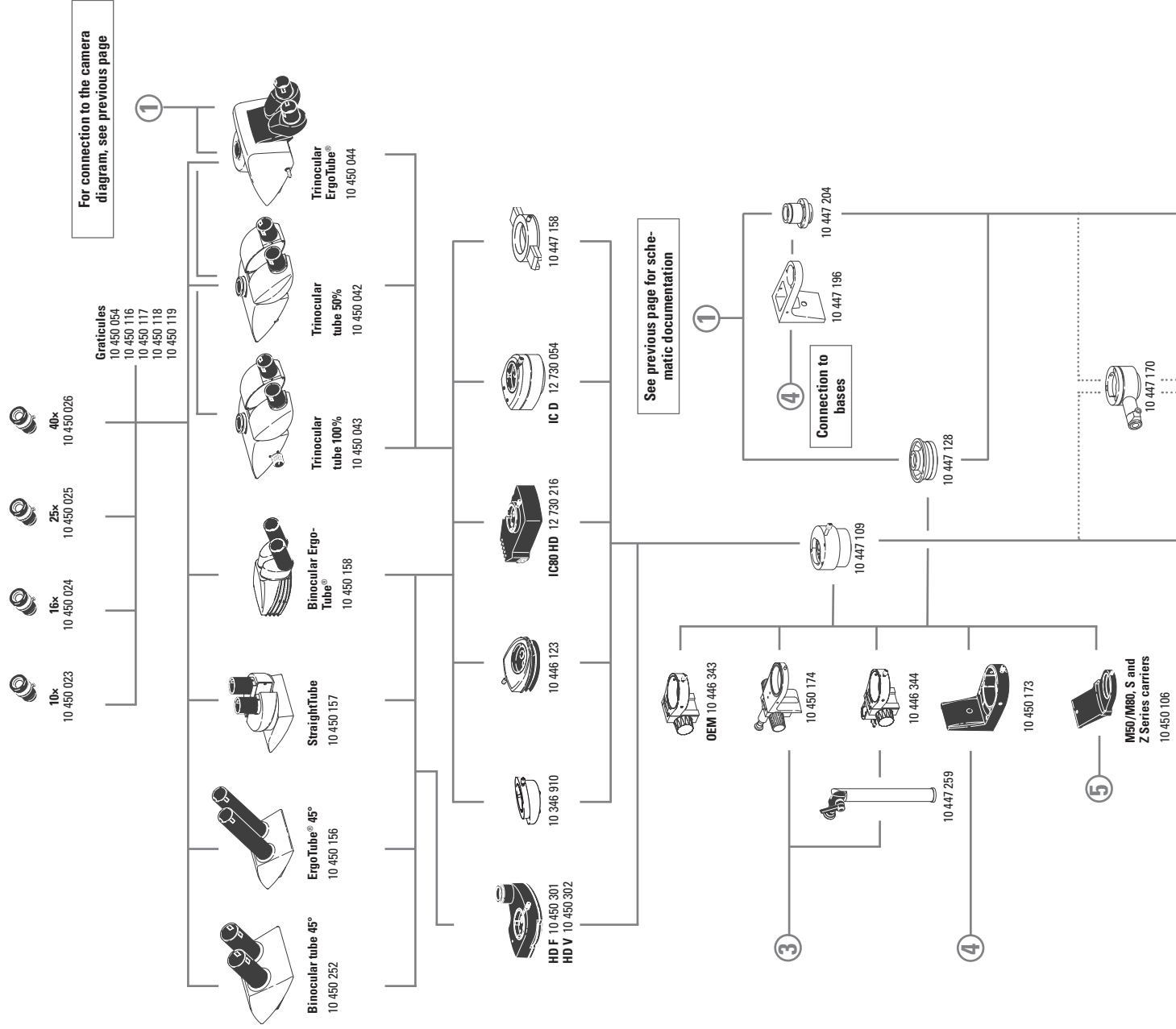
10 447 109 Y tube for tubes of the Leica M series, tube factor 1.25x, light distribution 50/50

10 447 128 A tube

10 447 196 Carrier to AS tube at focusing drive

10 447 204 AS tube

10 447 170 Coaxial incident light housing for fiber-optic light



For connection to the camera diagram, see previous page

See previous page for schematic documentation

Connection to bases

M50/M80, S and Z Series carriers  
10 450 106

## Zoom systems and accessories

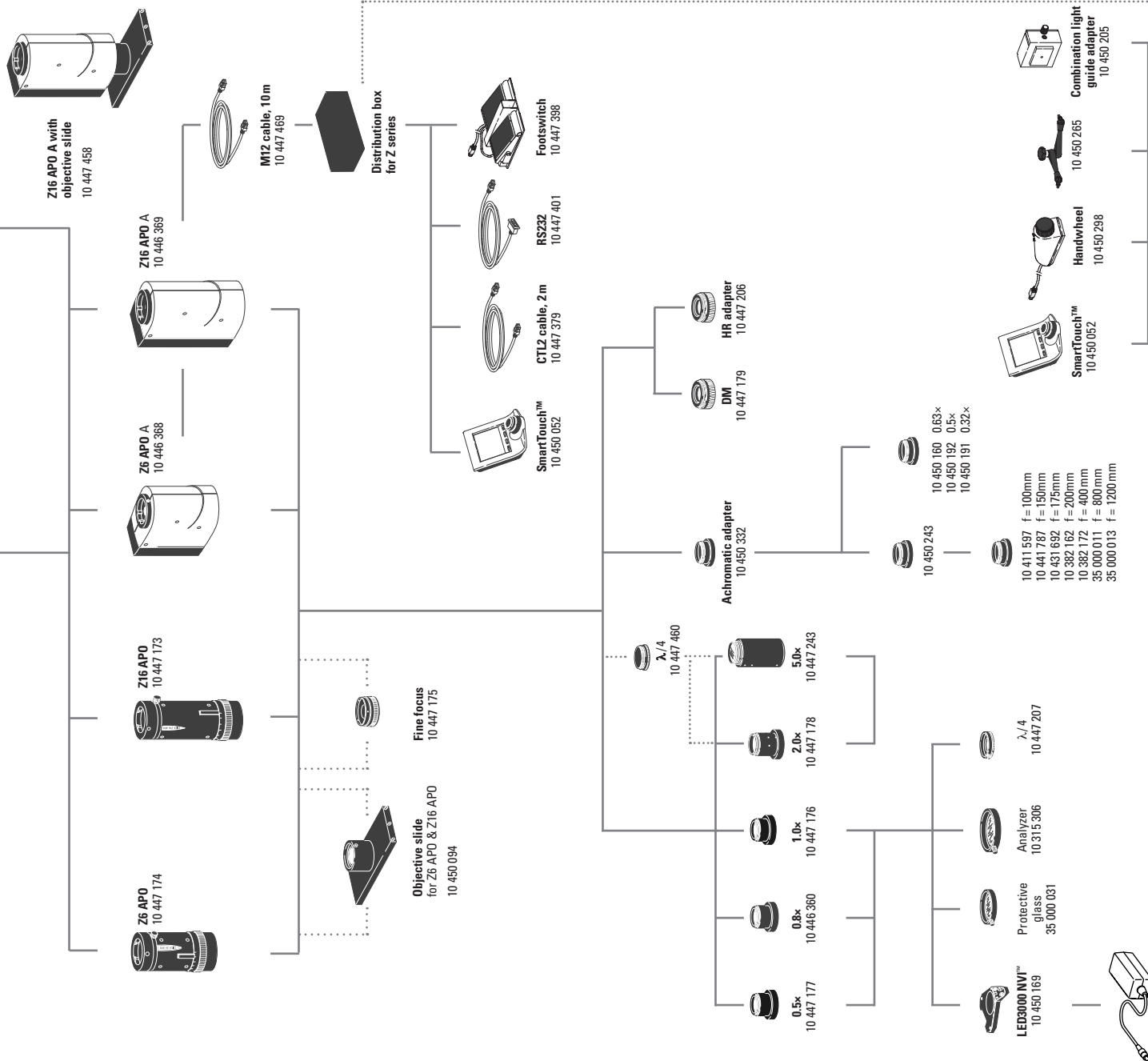
- 10 447 174 Leica Z6 APO 6.3:1 apochromatic zoom system
- 10 447 173 Leica Z16 APO 16:1 apochromatic zoom system
- 10 446 368 Leica Z6 APO A 6.3:1 motorized zoom system, apochromatic, with distribution box and M12 cable
- 10 446 369 Leica Z16 APO A 16:1 motorized zoom system, apochromatic, with distribution box and M12 cable
- 10 447 458 Z16 APO A with objective slide
- 10 450 094 Objective slide with quarter-wave plate for Z6 APO / Z16 APO (please order objectives separately)
- 10 450 138 Objective slide for Z6 APO / Z16 APO (please order objectives separately)

## Objectives and optical accessories

- 10 447 175 Fine focusing (for Z6 APO/Z16 APO only), 10 mm travel distance
- 10 447 177 0.5x planapochromatic objective
- 10 446 360 0.8x planapochromatic objective
- 10 447 176 1x planapochromatic objective
- 10 447 178 2x planapochromatic objective
- 10 447 243 Planapochromatic objective 5x
- 10 450 332 Adapter for M series achromatic objectives
- 10 450 191 0.32x achromatic objective
- 10 450 192 0.5x achromatic objective
- 10 450 160 0.63x achromatic objective
- 10 450 243 Adapter for LWD achromatic objectives
- 10 411 597 Achromatic objective f = 100 mm
- 10 441 787 Achromatic objective f = 150 mm
- 10 431 692 Achromatic objective f = 175 mm
- 10 382 162 Achromatic objective f = 200 mm
- 10 382 172 Achromatic objective f = 400 mm
- 35 000 011 Achromatic objective f = 800 mm
- 35 000 013 Achromatic objective f = 1200 mm
- 10 447 206 Adapter HR objectives to Z6/Z16
- 10 447 179 Adapter DM objectives to Z6/Z16
- 11 506 057 DM objective N plan L 20x/0.40 corr.\*
- 11 506 084 DM objective N plan 10x/0.25 - /A5.8 \*

\*strong vignetting in the lower zoom range

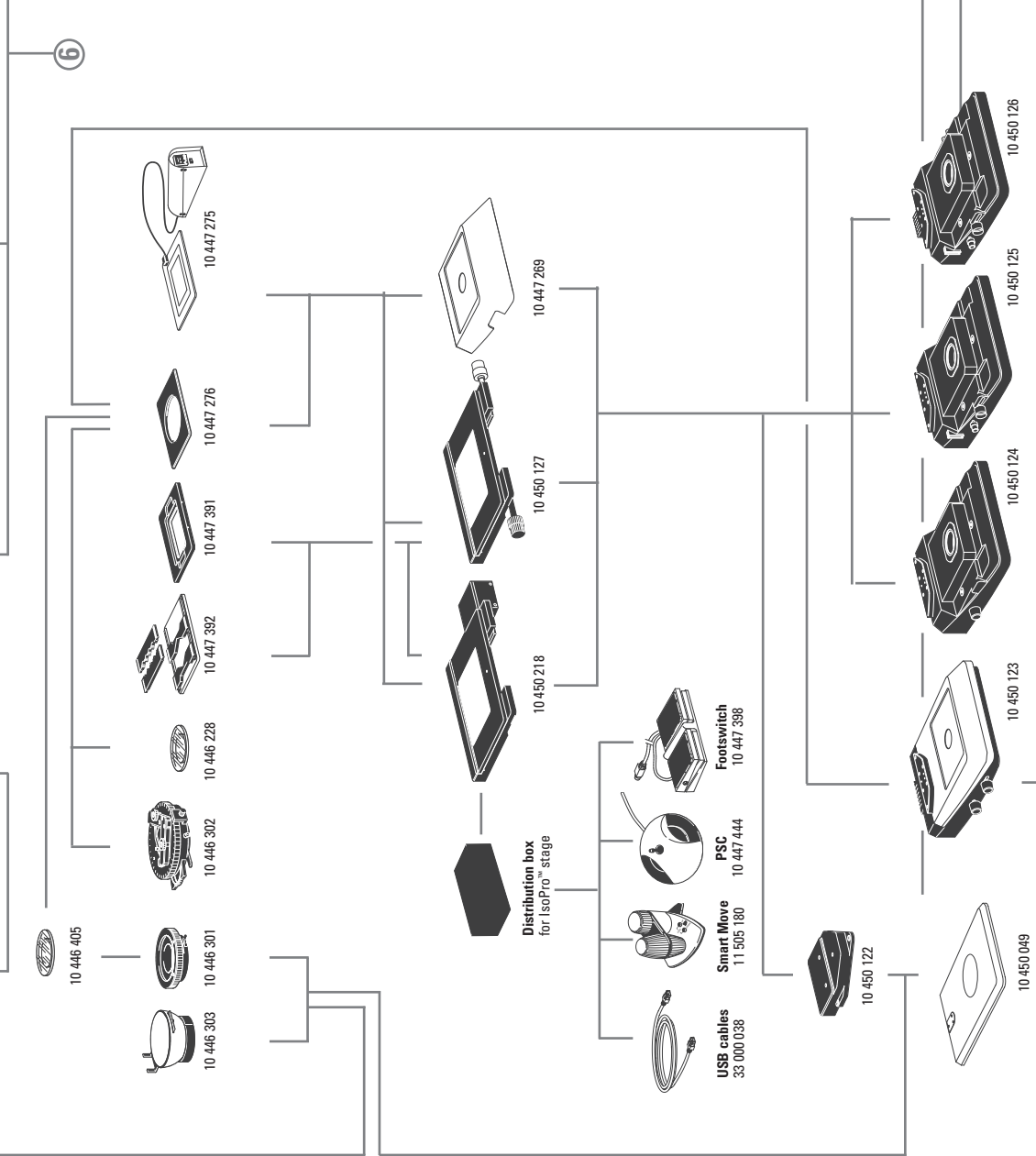
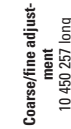
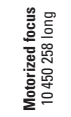
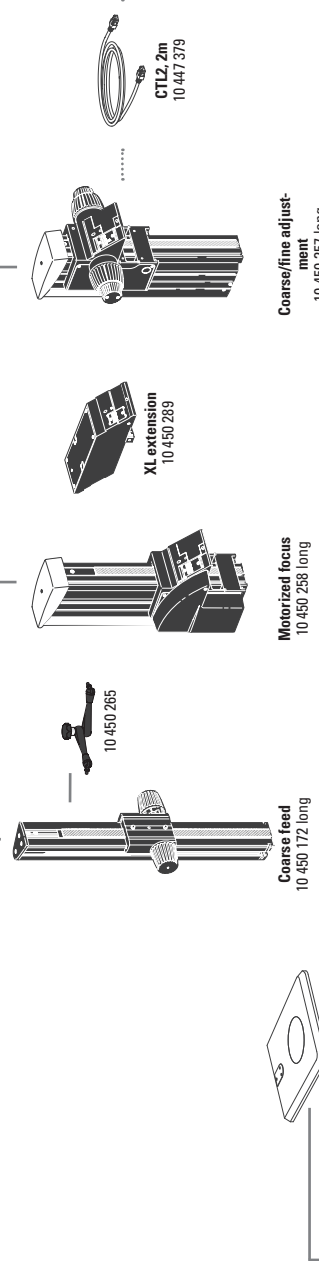
- 10 450 169 LED3000 NV1™ – vertical illumination for M50/M80 for using objectives with major diameter 58 mm
- 10 450 266 Power supply unit for LED3000/LED5000
- 35 000 031 Protective glass for planapochromatic objectives
- 10 315 306 Analyzer in rotating mount
- 10 447 207 Quarter-wave plate, Ø 58 mm
- 10 447 460 Quarter-wave plate for 2.0x and 5.0x



Power supply  
10 450 266



**4** Connection to Microscope carriers



**Incident- and transmitted- light bases**

- 10 447 342 Incident-light base medium
- 10 450 049 Incident-light base large
- 10 450 123 Transmitted-light base TL ST
- 10 450 124 Transmitted-light base BFDF
- 10 450 125 Transmitted-light base TL RC™ for external cold light sources
- 10 450 126 Transmitted-light base TL RC™ with integrated halogen illumination

**Stages**

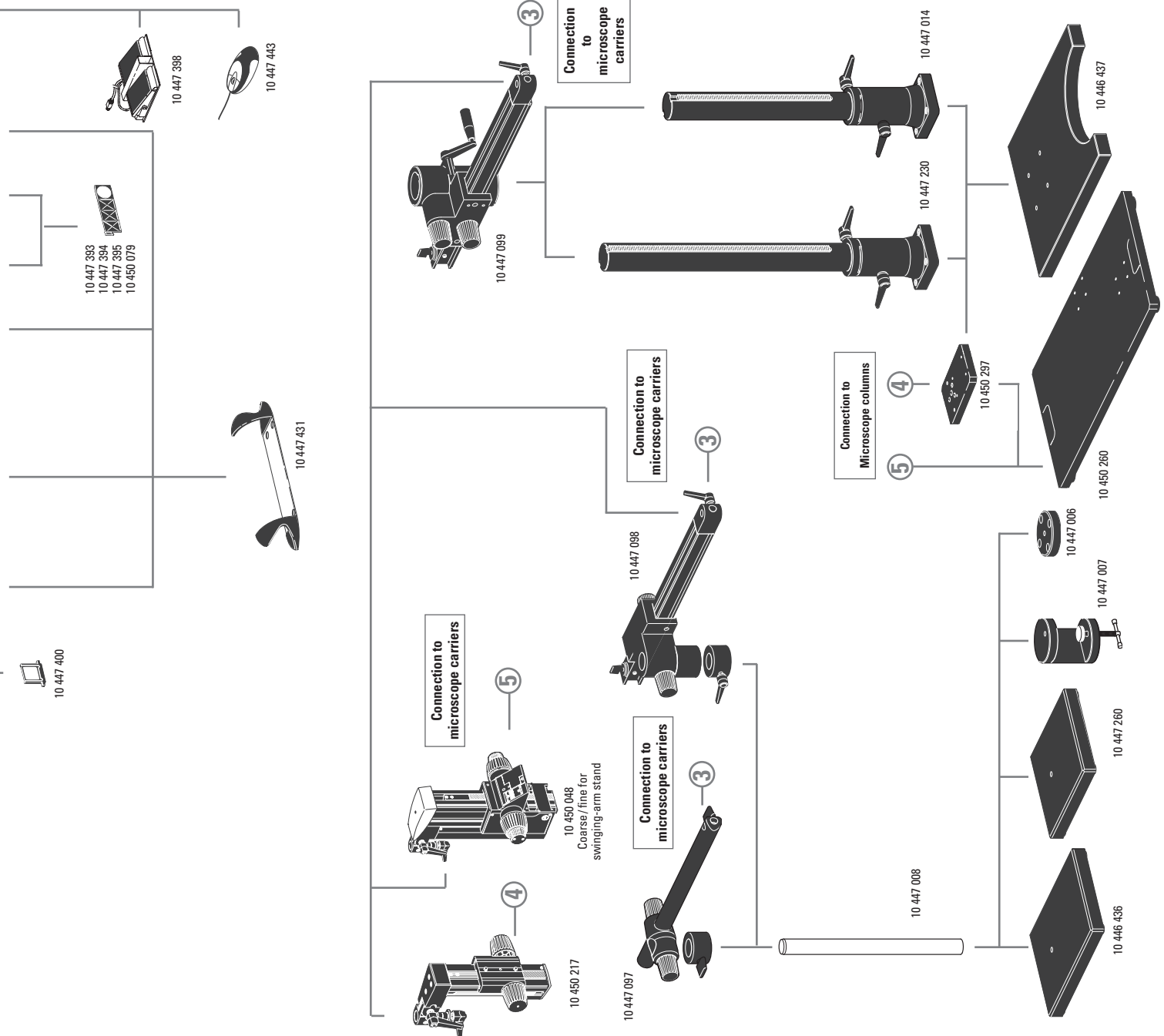
- 10 447 269 Standard stage for TL BFDF, TL RC™ and TL RC™
- 10 450 127 Leica IsoPro™ manual mechanical stage for TL BFDF, TL RC™, TL RC™ transmitted-light bases and incident-light base (with adapter 10 450 122)
- 10 450 218 Leica IsoPro™ motorized mechanical stage for TL BFDF, TL RC™, TL RC™ transmitted-light bases and incident-light base (with adapter 10 450 122)
- 10 450 122 Adapter between mechanical stage and incident-light base

- 10 447 275 Leica MATS TL heating stage insert with control unit for TL transmitted-light bases
- 10 447 276 Adapter for stages with Ø120mm
- 10 447 391 Stage for LifeOnStage accessories
- 10 447 392 Universal carrier for Petri dishes, specimen slides (up to four) etc.

- 10 446 301 Gliding stage, Ø120 mm
- 10 446 302 Polarization stage, Ø120mm
- 10 382 130 Attachable mechanical stage for polarization stage
- 10 361 719 Sensitive-tint plate for Pol rotating stage
- 10 446 303 Cup stage, Ø120 mm
- 10 446 228 Glass stage plate with Pol, Ø120 mm
- 10 450 058 Stage plate, b/w for TL bases
- 10 450 059 Replacement knobs for IsoPro™ manual mechanical stage

**Focusing drives**

- 10 450 172 Coarse focusing drive with profile column 500mm
- 10 450 257 Focusing drive, coarse/fine, with 620mm profile column
- 10 450 258 Motorized focus with profile column 620 mm
- 10 450 289 XL extension – for viewing large specimens
- 10 450 265 Arm for fastening LED spotlights
- 10 450 205 Combination light guide adapter for installation on the focusing column
- 10 447 369 CTL2 cable, 2 m



**Filters**

- 10 447 400 Daylight filter for TL ST base
- 10 447 394 BG38 filter for TL RC™/RCI™ transmitted-light base
- 10 447 395 UV filter for TL RC™/RCI™ base
- 10 447 393 ND filter (neutral density filter) for TL RC™/RCI™ base
- 10 450 079 Daylight filter for TL RCI™ base

**Controls**

- 10 447 443 Leica USB mouse, freely programmable, five-button mouse for connection to TL RCI™ transmitted-light base or PC
- 11 505 180 Leica SmartMove control unit for Leica IsoPro™ motorized mechanical stage
- 10 447 444 Leica PSC control unit for Leica IsoPro™ motorized mechanical stage
- 10 450 052 SmartTouch™, external control unit with integr. touchscreen for status control and control of all settings and functions
- 10 450 298 Manual controller for motorized focus
- 33 000 038 USB cables

**Ergonomic accessories**

- 10 447 431 Leica ErgoRest (handrest for fatigue-free work)

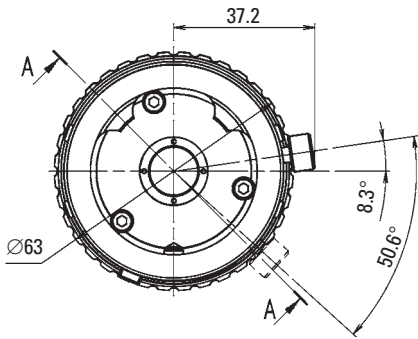
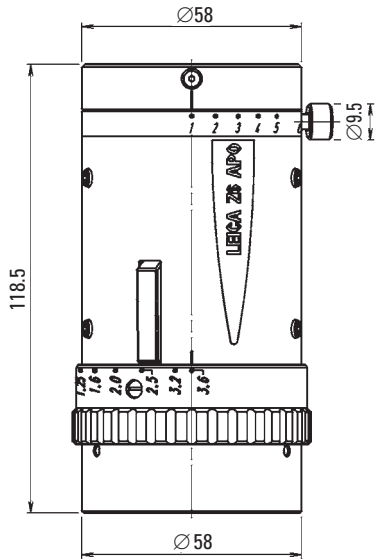
**Swiveling arm stands**

- 10 447 260 Baseplate, small
- 10 446 436 Baseplate, medium
- 10 447 008 Vertical column 470/35 mm
- 10 447 097 Horizontal arm ESD
- 10 447 098 Horizontal arm standard
- 10 447 006 Flange
- 10 447 007 Stage clamp
- 10 446 437 Baseplate, large
- 10 447 230 Vertical column 800/57 mm
- 10 447 014 Vertical column 560/57 mm
- 10 447 099 Horizontal arm, large
- 10 450 217 Focusing drive with inclinable column
- 10 450 048 Focusing drive coarse/fine for swiveling arm stand

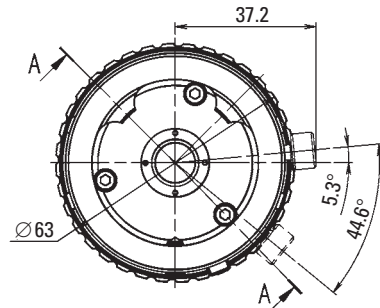
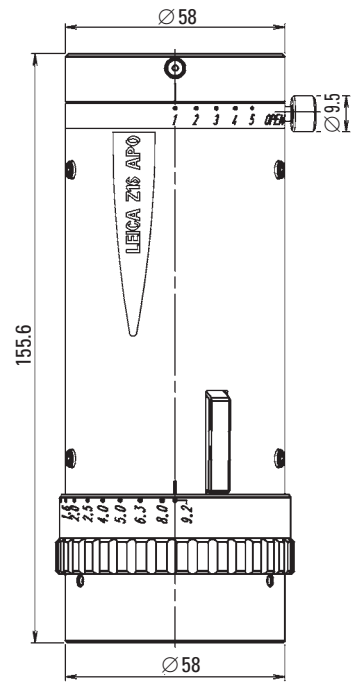
- 10 450 260 Universal plate XL for specimens up to 300 × 300 mm
- 10 450 297 Adapter for universal plate 10 450 260 for all swiveling-arm columns

# Leica Z6 APO & Z16 APO

## Dimensions of Zoom System, Coaxial Incident Light Housing

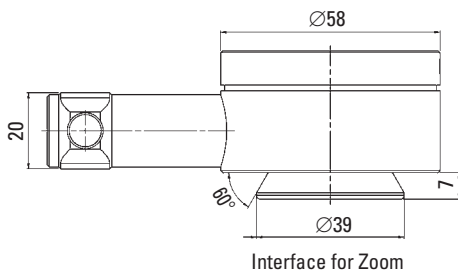


**Leica Z6 APO**

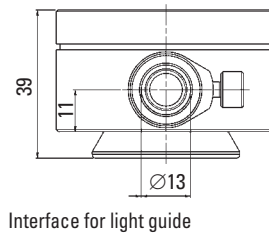


**Leica Z16 APO**

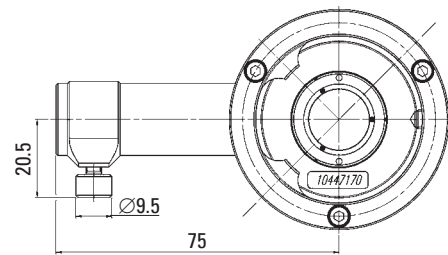
### Coaxial incident light housing



Interface for Zoom

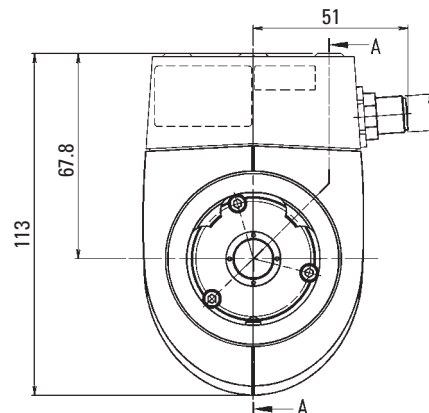
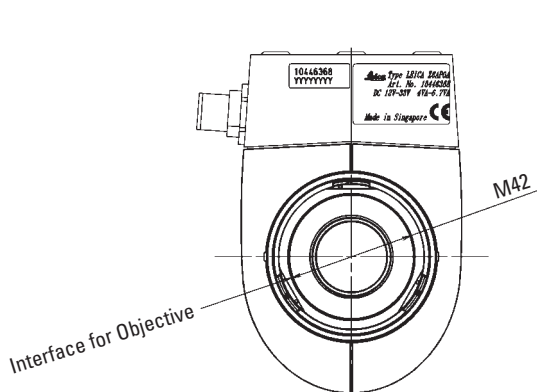
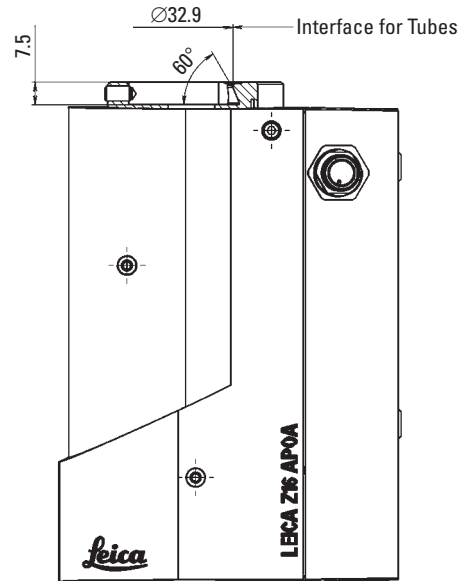
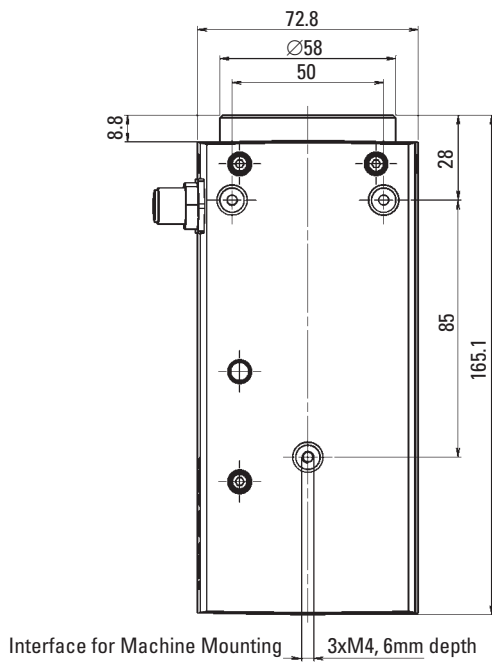
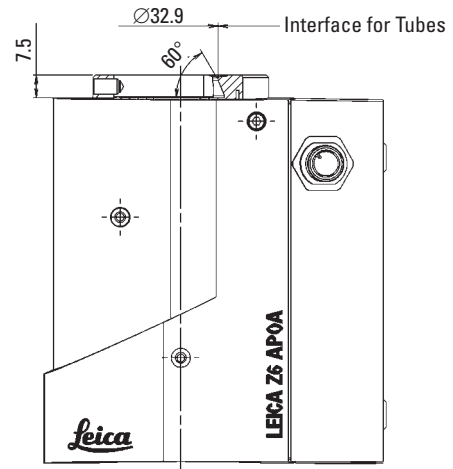
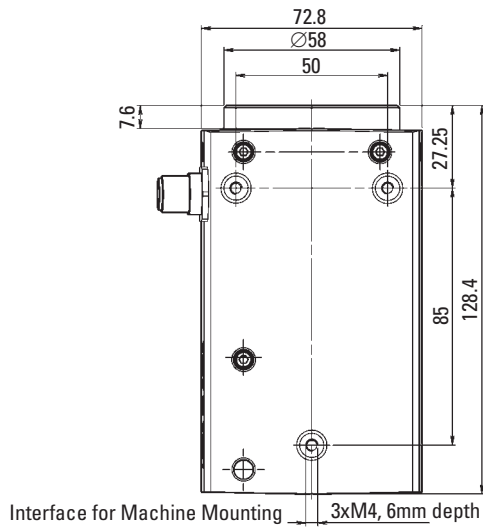


Interface for light guide

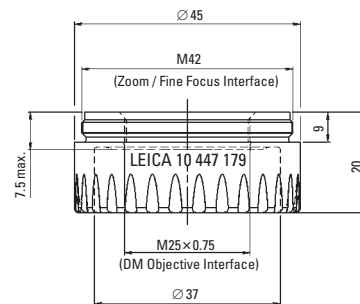
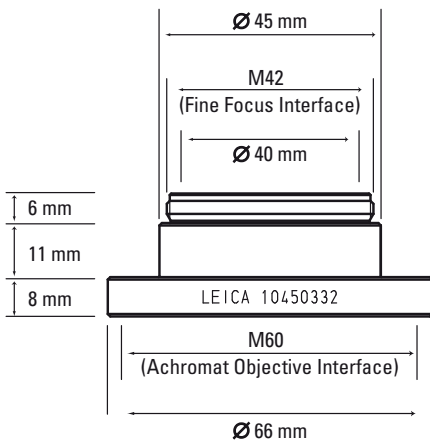
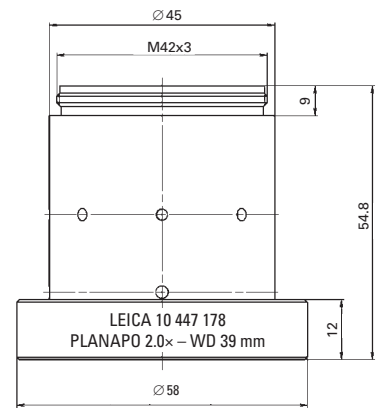
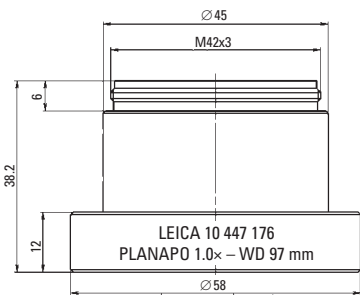
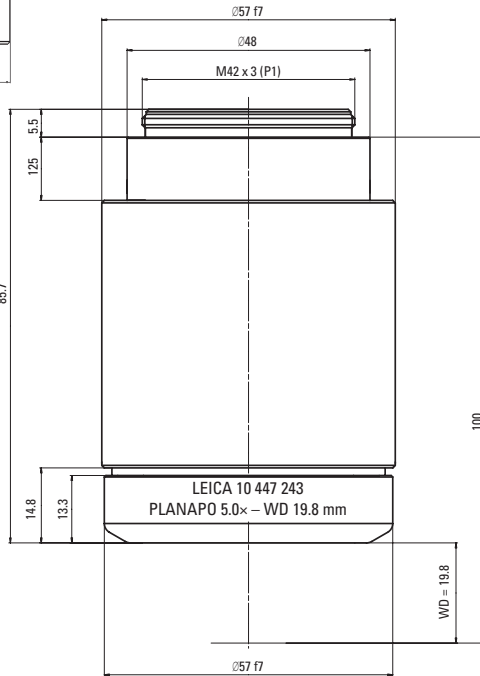
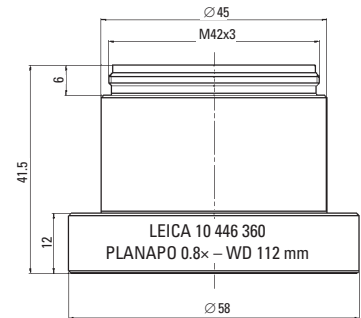
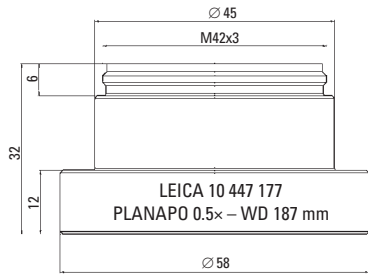


# Leica Z6 APO A & Z16 APO A

## Dimensions of Zoom System



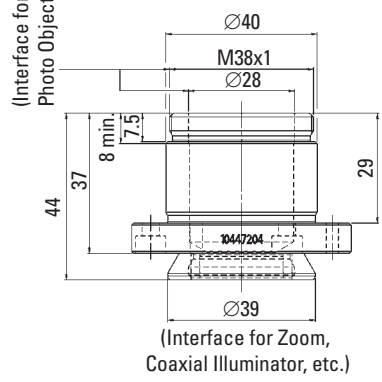
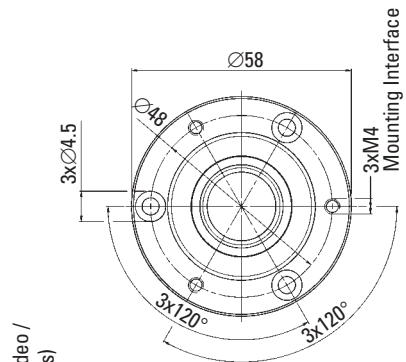
# Dimensions of Objectives, Adapters



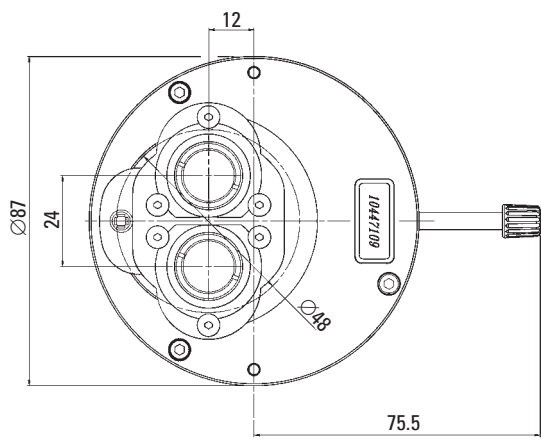
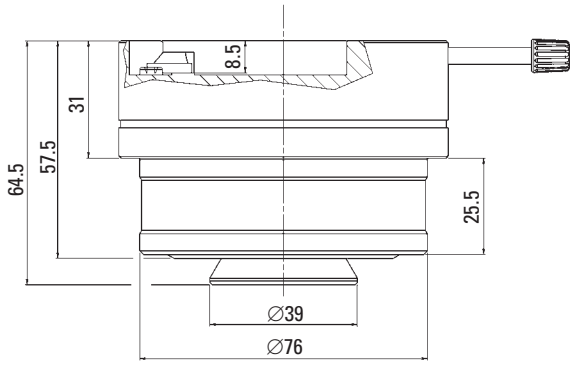
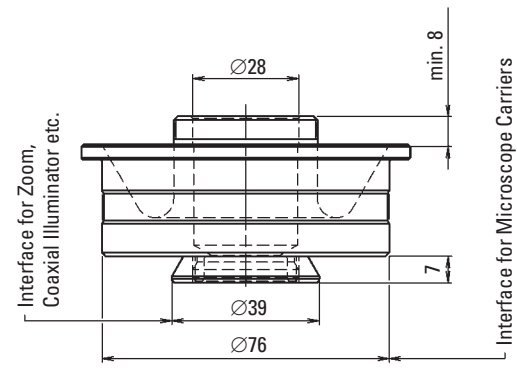
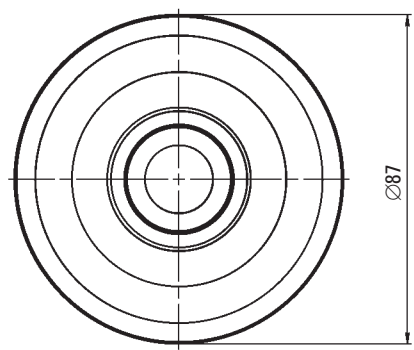
Adapters for achromatic objectives

Adapters for DM objectives

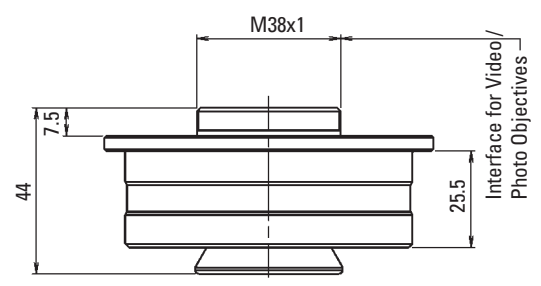
# Dimensions of Tubes



**AS tube**



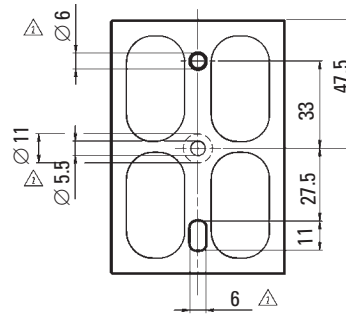
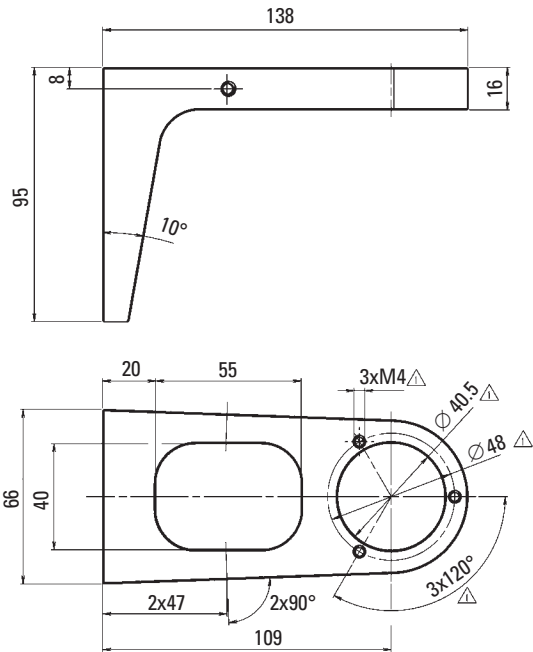
**Y tube**



**A tube**

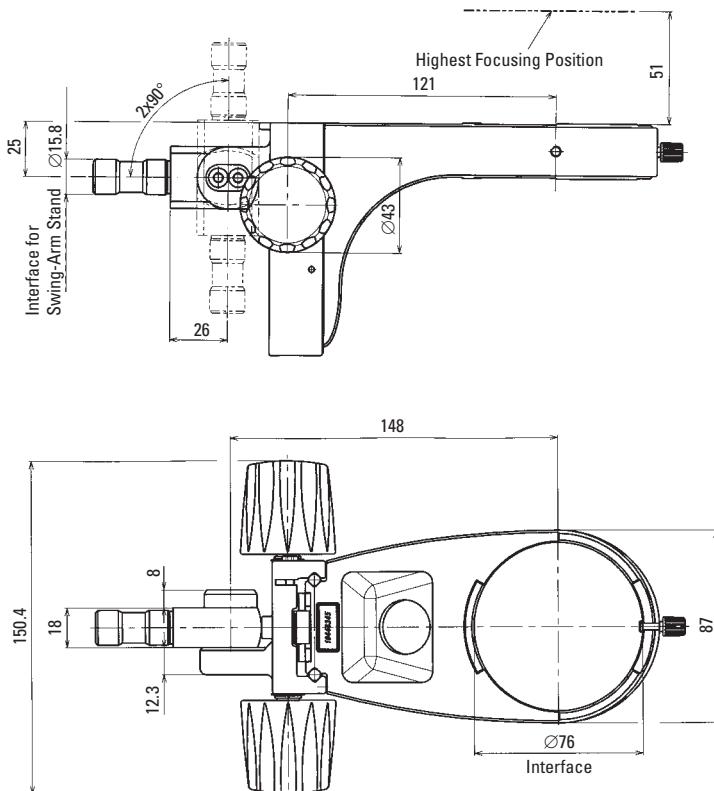
# Dimensions of Carriers

## Carrier for AS tube

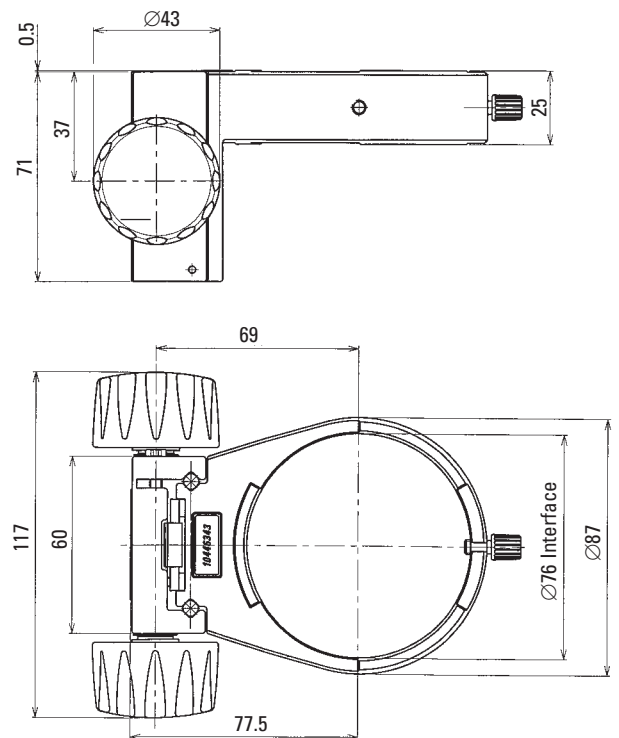


- △ Interface for CMO Focus Drivers
- △ Interface for AS Tube 10447204

## Tiltable focusing arm



## Focusing arm for probers



# “With the user, for the user”

## Leica Microsystems

Leica Microsystems operates globally in four divisions, where we rank with the market leaders.

### • Life Science Division

The Leica Microsystems Life Science Division supports the imaging needs of the scientific community with advanced innovation and technical expertise for the visualization, measurement, and analysis of microstructures. Our strong focus on understanding scientific applications puts Leica Microsystems' customers at the leading edge of science.

### • Industry Division

The Leica Microsystems Industry Division's focus is to support customers' pursuit of the highest quality end result. Leica Microsystems provide the best and most innovative imaging systems to see, measure, and analyze the microstructures in routine and research industrial applications, materials science, quality control, forensic science investigation, and educational applications.

### • Biosystems Division

The Leica Microsystems Biosystems Division brings histopathology labs and researchers the highest-quality, most comprehensive product range. From patient to pathologist, the range includes the ideal product for each histology step and high-productivity workflow solutions for the entire lab. With complete histology systems featuring innovative automation and Novocastra™ reagents, Leica Microsystems creates better patient care through rapid turnaround, diagnostic confidence, and close customer collaboration.

### • Medical Division

The Leica Microsystems Medical Division's focus is to partner with and support surgeons and their care of patients with the highest-quality, most innovative surgical microscope technology today and into the future.

The statement by Ernst Leitz in 1907, “with the user, for the user,” describes the fruitful collaboration with end users and driving force of innovation at Leica Microsystems. We have developed five brand values to live up to this tradition: Pioneering, High-end Quality, Team Spirit, Dedication to Science, and Continuous Improvement. For us, living up to these values means: **Living up to Life.**

### Active worldwide

|                         |                       |                         |                        |
|-------------------------|-----------------------|-------------------------|------------------------|
| Australia:              | North Ryde            | Tel. +61 2 8870 3500    | Fax +61 2 9878 1055    |
| Austria:                | Vienna                | Tel. +43 1 486 80 50 0  | Fax +43 1 486 80 50 30 |
| Belgium:                | Groot Bijgaarden      | Tel. +32 2 790 98 50    | Fax +32 2 790 98 68    |
| Canada:                 | Richmond Hill/Ontario | Tel. +1 905 762 2000    | Fax +1 905 762 8937    |
| Denmark:                | Ballerup              | Tel. +45 4454 0101      | Fax +45 4454 0111      |
| France:                 | Nanterre Cedex        | Tel. +33 811 000 664    | Fax +33 1 56 05 23 23  |
| Germany:                | Wetzlar               | Tel. +49 64 41 29 40 00 | Fax +49 64 41 29 41 55 |
| Italy:                  | Milan                 | Tel. +39 02 574 861     | Fax +39 02 574 03392   |
| Japan:                  | Tokyo                 | Tel. +81 3 5421 2800    | Fax +81 3 5421 2896    |
| Korea:                  | Seoul                 | Tel. +82 2 514 65 43    | Fax +82 2 514 65 48    |
| Netherlands:            | Rijswijk              | Tel. +31 70 4132 100    | Fax +31 70 4132 109    |
| People's Rep. of China: | Hong Kong             | Tel. +852 2564 6699     | Fax +852 2564 4163     |
| Portugal:               | Lisbon                | Tel. +351 21 388 9112   | Fax +351 21 385 4668   |
| Singapore               |                       | Tel. +65 6779 7823      | Fax +65 6773 0628      |
| Spain:                  | Barcelona             | Tel. +34 93 494 95 30   | Fax +34 93 494 95 32   |
| Sweden:                 | Kista                 | Tel. +46 8 625 45 45    | Fax +46 8 625 45 10    |
| Switzerland:            | Heerbrugg             | Tel. +41 71 726 34 34   | Fax +41 71 726 34 44   |
| United Kingdom:         | Milton Keynes         | Tel. +44 1908 246 246   | Fax +44 1908 609 992   |
| USA:                    | Bannockburn/Illinois  | Tel. +1 847 405 0123    | Fax +1 847 405 0164    |

### and representatives in more than 100 countries

In accordance with the ISO 9001 certificate, Leica Microsystems (Switzerland) Ltd, Industry Division, has at its disposal a management system that meets the requirements of the international standard for quality management. In addition, production meets the requirements of the international standard ISO 14001 for environmental management.