



MODULAR SERIES

Modular stereozoom microscopes for Industry

OPTIKA

Italian headquarters



OPTIKA Microscopes belongs to the group “M.A.D. Apparecchiature Scientifiche” and, with its almost 40 years experience in the field of scientific instrumentation, is worldwide known as a leading Company for optical microscopes’ production and distribution.

The Company, a team of 70 people in 3 different European locations, is engaged in the development of new models, production, quality control, sales and after-sales service.

OPTIKA microscopes excellence, concerning quality, innovation, competitive prices and customer assistance, reaches the end users through a wide network of national and international distributors.

MODULAR SERIES

THE SERIES

The MODULAR series has been designed to match professional needs in industrial fields.

With a wide range of stereozoom heads and special stands, it allows to build your own model on the basis of your own needs.

MODULAR SERIES - Heads

LAB-2BH BINOCULAR STEREOZOOM HEAD

45° inclined, 360° rotatable;
 WF10x/20mm widefield eyepieces;
 Interpupillary distance: 51-75 mm;
 Dioptic adjustment: +/-5 dp;
 1x...4x zoom objective;
 Zoom ratio: 4:1
 Working distance: 85 mm.



LAB-3TH TRINOCULAR STEREOZOOM HEAD

45° inclined, 360° rotatable;
 WF10x/20mm widefield eyepieces;
 Interpupillary distance: 51-75 mm;
 Dioptic adjustment: +/-5 dp;
 1x...4x zoom objective;
 Zoom ratio: 4:1
 Working distance: 85 mm.



EYEPIECES

ST-001 Eyepieces (pair) WF5x/22mm
 ST-002 Eyepieces (pair) WF10x/20mm
 ST-003 Eyepieces (pair) WF15x/15mm
 ST-004 Eyepieces (pair) WF20x/13mm
 ST-005 Micrometric eyepiece WF10x

ADDITIONAL LENSES

ST-023 Additional lens 0,5x for LAB 2 (w.d. 170 mm)
 ST-024 Additional lens 1,5x for LAB 2 (w.d. 42 mm)

PHOTO & VIDEO ADAPTERS

ST-089 SRL Reflex camera adapter
 ST-090 CCD camera adapter (for 1/3" sensors)
 ST-090.1 CCD camera adapter (for 1/2" sensors)



MODULAR SERIES - Heads



SZM-B BINOCULAR STEREOZOOM HEAD

45° inclined, 360° rotatable;
 WF10x/20mm high-point widefield eyepieces;
 Interpupillary distance: 51-75 mm;
 Dioptic adjustment: +/-5 dp;
 0,7x...4,5x zoom objective;
 Zoom ratio: 6,43:1
 Working distance: 100 mm.



SZM-T TRINOCULAR STEREOZOOM HEAD

45° inclined, 360° rotatable;
 WF10x/20mm high-point widefield eyepieces;
 Interpupillary distance: 51-75 mm;
 Dioptic adjustment: +/-5 dp;
 0,7x...4,5x zoom objective;
 Zoom ratio: 6,43:1
 Working distance: 100 mm.

EYEPIECES

- ST-081 Eyepieces (pair) WF10x/20 mm
- ST-082 Eyepieces (pair) WF15x/15 mm
- ST-083 Eyepieces (pair) WF20x/10 mm
- ST-084 Micrometric eyepiece WF10x/20 mm

ADDITIONAL LENSES

- ST-085 Additional lens 0,5x (w.d. 165 mm)
- ST-091 Additional lens 0,75x (w.d. 117 mm)
- ST-086 Additional lens 1,5x (w.d. 47 mm)
- ST-087 Additional lens 2x (w.d. 26 mm)

PHOTO & VIDEO ADAPTERS

- ST-089 SRL Reflex camera adapter
- ST-090 CCD camera adapter (for 1/3" sensors)
- ST-090.1 CCD camera adapter (for 1/2" sensors)



MODULAR SERIES - Heads

SZN-B BINOCULAR STEREOZOOM HEAD

45° inclined, 360° rotatable;
 WF10x/22mm high-point widefield eyepieces;
 Interpupillary distance: 55-75 mm;
 Dioptic adjustment: +/-5 dp;
 0,67x....4,5x zoom objective;
 Zoom ratio: 6,72;
 Working distance: 110 mm.



SZN-T TRINOCULAR STEREOZOOM HEAD

45° inclined, 360° rotatable;
 WF10x/22mm high-point widefield eyepieces;
 Interpupillary distance: 55-75 mm;
 Dioptic adjustment: +/-5 dp;
 0,67x....4,5x zoom objective;
 Zoom ratio: 6,72;
 Working distance: 110 mm.



EYEPIECES

ST-141 Eyepieces (pair) WF10x/22mm
 ST-142 Eyepieces (pair) WF15x/16mm
 ST-143 Eyepieces (pair) WF20x/12mm
 ST-144 Eyepieces (pair) WF25x/9mm
 ST-145 Micrometric eyepiece WF10x/22mm

ADDITIONAL LENSES

SA00.3 Additional lens 0,3x (w.d. 287 mm)
 SA00.5 Additional lens 0,5x (w.d. 185mm)
 SA00.75 Additional lens 0,7x (w.d. 120mm)
 SA01.5 Additional lens 1,5x (w.d. 49mm)
 SA02 Additional lens 2x (w.d. 28mm)

PHOTO & VIDEO ADAPTERS

ST-146 SRL Reflex camera adapter
 ST-147 CCD camera adapter (for 1/3" sensors)
 ST-147.1 CCD camera adapter (for 1/2" sensors)



MODULAR SERIES - Heads

SZP-6 BINOCULAR STEREOZOOM HEAD

30° inclined, 360° rotatable;
WF10x/22mm high-point widefield eyepieces;
Interpupillary distance: 55-75 mm;
Dioptric adjustment: +/-5 dp;
0,8x....5x zoom objective;
Zoom ratio: 6:1;
Working distance: 80 mm.

SZP-8 BINOCULAR STEREOZOOM HEAD

30° inclined, 360° rotatable;
WF10x/22mm high-point widefield eyepieces;
Interpupillary distance: 55-75 mm;
Dioptric adjustment: +/-5 dp;
0,8x....6,4x zoom objective;
Zoom ratio: 8:1;
Working distance: 80 mm.

SZP-10 BINOCULAR STEREOZOOM HEAD

30° inclined, 360° rotatable;
WF10x/22mm high-point widefield eyepieces;
Interpupillary distance: 55-75 mm;
Dioptric adjustment: +/-5 dp;
0,8x....8x zoom objective;
Zoom ratio: 10:1;
Working distance: 80 mm.

EYEPIECES

ST-161	Eyepieces (pair) WF15x/15 mm
ST-162	Eyepieces (pair) WF20x/12 mm
ST-163	Micrometric eyepiece WF10x/22 mm

ADDITIONAL LENSES

ST-165	Additional lens 0,3x (w.d. 280 mm)
ST-166	Additional lens 0,5x (w.d. 165 mm)
ST-167	Additional lens 2x (w.d. 32,5 mm)

PHOTO & VIDEO ATTACHMENTS AND ADAPTERS

ST-170	Photo/Video beam splitter - 1 port
ST-171	Photo/Video beam splitter - 2 ports
ST-172	Iris diaphragm
ST-173	SRL Reflex camera adapter
ST-174	CCD camera adapter (for 1/3" sensors)
ST-175	CCD camera adapter (for 1/2" sensors)



MODULAR SERIES - Stands



ST-150 Large plain stand with head holder and focusing mechanism. Pillar type. Base: 320x280mm; pillar: \varnothing 32x360mm.



ST-151 Large plain stand with head holder and focusing mechanism. LED trans-illuminator with intensity control. Pillar type. Base: 320x280mm; pillar: \varnothing 32x360mm.



ST-152 Large plain stand with head holder and focusing mechanism. Fixed arm type. Base: 320x280mm; fixed arm: 360mm.



ST-153 Large plain stand with head holder and focusing mechanism. LED trans-illuminator with intensity control. Fixed arm type. Base: 320x280mm; fixed arm: 360mm.

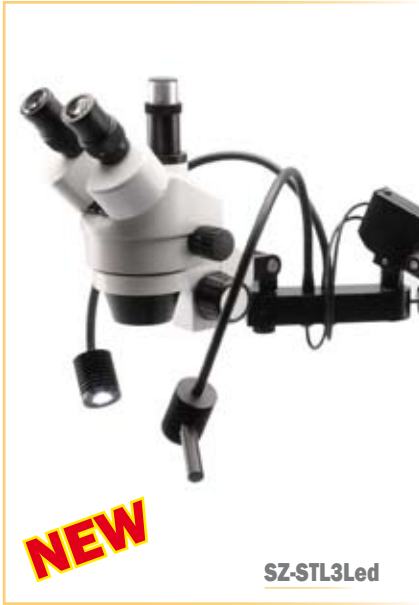


SZ-STL1H Simple overhanging stand with head holder. Base dimensions: 230x230mm; pillar: \varnothing 32x380mm; horizontal arm: 430mm.

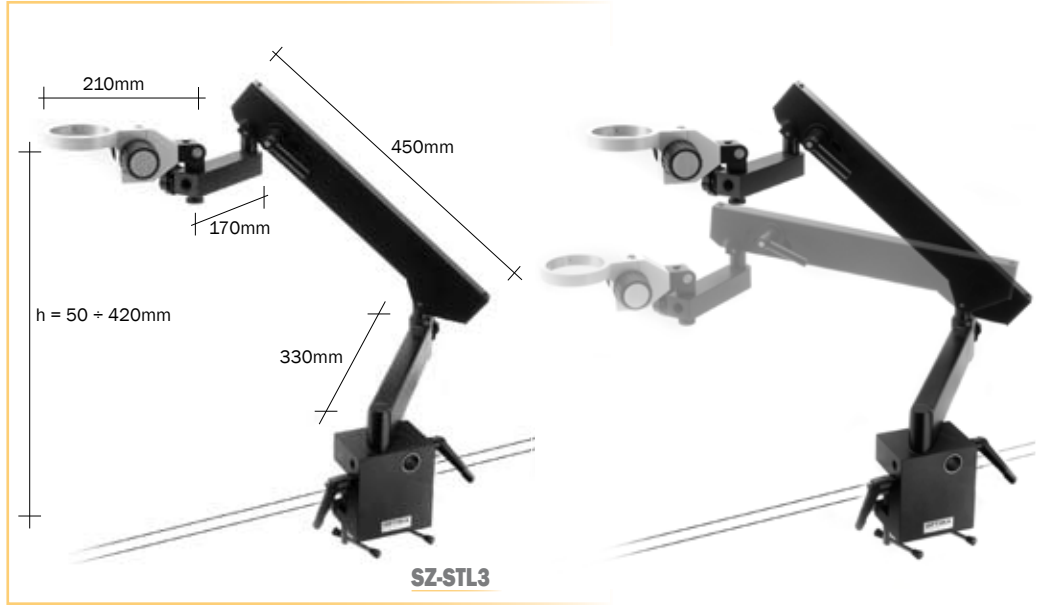


SZ-STL2H Hinged overhanging stand with head holder. Base dimensions: 260x210mm; pillar: \varnothing 32x380mm; horizontal arm: 550mm.

MODULAR SERIES - Stands



SZ-STL3Led



SZ-STL3



SZ-STL4



SZ-STL8

Modern stand with small base. With 2 incident X-LED illuminators on flexible arms.



ST-155 Modern stand with large base. LED trans-illuminator and LED incident illuminator, both with intensity control.

ST-156 Same as ST-155 but with coaxial coarse and fine focusing system.

