

Living up to Life



Leica Stereozoom[®]

Stereomicroscopes | Technical Information



Technical Data, Performance Characteristics

StereoZoom®	Leica S4 E	Leica S6	Leica S6 E	Leica S6 T	Leica S6 D
Optical system, lead-free	12°-Greenough using best-corrected central part of the objective	12°-Greenough using best-corrected central part of the objective	12°-Greenough using best-corrected central part of the objective	12°-Greenough using best-corrected central part of the objective	12°-Greenough using best-corrected central part of the objective
Zoom	4.8:1	6.3:1	6.3:1	6.3:1	6.3:1
Viewing angle	38°	60°	38°	38°	38°
ESD protection	antistatic	antistatic	antistatic	Terminator (dissipating)	antistatic
Specific surface resistivity	2×10 ¹¹ Ω/square, discharge time <2 seconds from 1000 V to 100 V	2×10 ¹¹ Ω/square, discharge time <2 seconds from 1000 V to 100 V	2×10 ¹¹ Ω/square, discharge time <2 seconds from 1000 V to 100 V	10 ² –10 ⁸ Ω/square, discharge time <0.1 seconds from 1000 V to zero	2×10 ¹¹ Ω/square, discharge time <2 seconds from 1000 V to 100 V
Magnification range (basic outfit)	6.3×–30×	6.3×–40×	6.3×–40×	6.3×–40×	6.3×–40×
Maximum resolution	372 lp/mm	432 lp/mm	432 lp/mm	432 lp/mm	432 lp/mm
Maximum numerical aperture	0.124	0.144	0.144	0.144	0.144
Working distance (basic outfit)	110 mm	110 mm	110 mm	110 mm	110 mm
Object field diameter	36.5 mm	36.5 mm	36.5 mm	36.5 mm	36.5 mm
Adjustable zoom limits		2	2	2	2
Video/photo outlet, switchable					100% visual or 100% video/photo and 100% visual in the left eyepiece
Photography with coaxial light					Yes
Standard objectives, lead-free	Achromats 0.32×, 0.5×, 0.63×, 0.75×, 1.6×, 2.0×	Achromats 0.32×, 0.5×, 0.63×, 0.75×, 1.6×, 2.0×	Achromats 0.32×, 0.5×, 0.63×, 0.75×, 1.6×, 2.0×	Achromats 0.32×, 0.5×, 0.63×, 0.75×, 1.6×, 2.0×	Achromats 0.32×, 0.5×, 0.63×, 0.75×, 1.6×, 2.0×
ErgoObjective™	0.6×–0.75× / 77–137 mm 0.7×–1.0× / 48–98 mm	0.6×–0.75× / 77–137 mm 0.7×–1.0× / 48–98 mm	0.6×–0.75× / 77–137 mm 0.7×–1.0× / 48–98 mm	0.6×–0.75× / 77–137 mm 0.7×–1.0× / 48–98 mm	0.6×–0.75× / 77–137 mm 0.7×–1.0× / 48–98 mm
Adjustable Objectives	0.3×–0.4× / 200–350 mm	0.3×–0.4× / 200–350 mm	0.3×–0.4× / 200–350 mm	0.3×–0.4× / 200–350 mm	0.3×–0.4× / 200–350 mm
Ergonomic eyepieces, fixed and adjustable, with cups	10×/23, 16×/16, 20×/12	10×/23, 16×/16, 20×/12	10×/23, 16×/16, 20×/12	10×/23, 16×/16, 20×/12	10×/23, 16×/16, 20×/12
Ergonomic eyepieces for eyeglass wearers, adjustable, with eyecups	10×/23, 16×/15, 25×/9.5, 40×/6	10×/23, 16×/15, 25×/9.5, 40×/6	10×/23, 16×/15, 25×/9.5, 40×/6	10×/23, 16×/15, 25×/9.5, 40×/6	10×/23, 16×/15, 25×/9.5, 40×/6
Interpupillary distance	55–75 mm	55–75 mm	55–75 mm	55–75 mm	55–75 mm

StereoZoom® is a trademark registered in the Principal Register of the US Patent and Trademark Office.

Accessories

Leica S8 APO
12°-Greenough using best-corrected central part of the objective
8:1, apochromatic
38°
antistatic
2×10 ¹¹ Ω/square, discharge time <2 seconds from 1000 V to 100 V
10x–80x
600 lp/mm
0.2
75 mm
23 mm
2
100% visual or 100% video/photo and 100% visual in the left eyepiece
Yes
Apochromats 0.63x, 1.6x, 2.0x Achromat 0.32x
10x/23, 16x/15, 25x/9.5, 40x/6
55–75 mm

Stands, illuminators	
Incident light stands	Antistatic and terminator (dissipating)
Focusing drives	Coarse, fine, inclinable for OEM applications (bonders), adjustable ease of movement
Focusing range	135 mm
Microscope carrier	Optics carrier rotatable through 360°
Swing-arm stands	<ul style="list-style-type: none"> • ESD swing-arm stand • Standard swing-arm stand with easy-to-move horizontal arm (ball bearing) • Large Swing-arm stand with easy-glide horizontal arm and crank for comfortable height positioning
FlexArm	For installing the mount on the work table
Incident light stand LED 2000	Stand with integrated incident light LED illumination (ring-shaped and curved)
Transmitted light stands	<ul style="list-style-type: none"> • Sub-base for transmitted light with movable mirror for inclined illumination • Incident light stands bright field, bright/dark field • High-performance base
Transmitted light stand LED 2500	Stand with integrated incident light LED illumination (ring-shaped and curved) and uniform transmitted light illumination
Stages	Gliding stage, cup stage, polarizer
Illuminators	<ul style="list-style-type: none"> • Leica LED3000 RL ring illuminator • Leica LED3000 NVI™ nearly vertical illumination • Leica LED3000 SLI™ spotlight illuminator • Leica LED3000 MCI™ Multi Contrast Illumination • Leica KL200 LED cold-light source for coupling to the stand • Various fiber-optic light guides • Accessories for coaxial, vertical and transmitted light • Leica LED1000 (ring, spot and transmitted light insert)

Accessories	
Measurement reticules	For length measurement and counting
Vertical/oblique observation (S4 E/S6 models)	All-round 45° side view of the specimen
Objective protective-glass	Protects against dirt and damage
Digital image-recording systems (S6 D/S8 APO)	Various digital image-recording systems for routing to high-end, FireWire Leica DFC camera line
Image archiving and processing software	<ul style="list-style-type: none"> • Leica Application Suite (LAS): Extended Annotation, Interactive Measurements, Live Measurements, Montage, MultiTime, Reticule, Web Sharing
Video (S6 D/S8 APO)	Various video objectives and adapters for commercial CCD cameras

Optical data StereoZoom® Leica S4 E, S6 E, S6, S6 T, S6 D

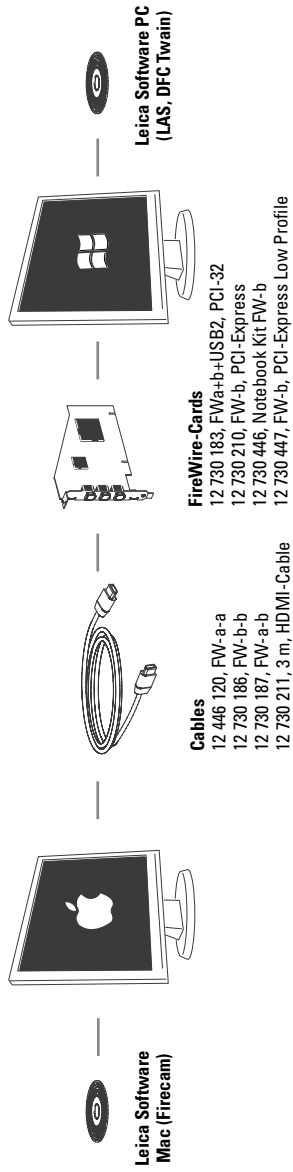
				with additional objectives									
				0.32x		0.5x		0.63x		0.75x		1.6x	
Working distance		110 mm		300 mm		200 mm		155 mm		130 mm		55 mm	
Eyepieces	Zoom position	Total Magnification	Object field (mm)	Total Magnification	Object field (mm)	Total Magnification	Object field (mm)	Total Magnification	Object field (mm)	Total Magnification	Object field (mm)	Total Magnification	Object field (mm)
10x/23 10 447 130 10 447 131 10 447 136 10 447 137	0.63	6.3	36.5	2.0	115.0	3.2	71.9	4.0	57.5	4.7	48.9	10.1	22.8
	0.8	8.0	28.8	2.6	88.5	4.0	57.5	5.0	46.0	6.0	38.3	12.8	18.0
	1.0	10.0	23.0	3.2	71.9	5.0	46.0	6.3	36.5	7.5	30.7	16.0	14.4
	1.25	12.5	18.4	4.0	57.5	6.3	36.5	7.9	29.1	9.4	24.5	20.0	11.5
	1.6	16.0	14.4	5.1	45.1	8.0	28.8	10.1	22.8	12.0	19.2	25.6	9.0
	2.0	20.0	11.5	6.4	35.9	10.0	23.0	12.6	18.3	15.0	15.3	32.0	7.2
	2.5	25.0	9.2	8.0	28.8	12.5	18.4	15.8	14.6	18.8	12.2	40.0	5.8
	3.0	30.0	7.67	9.6	24.0	15.0	15.3	18.9	12.2	22.5	10.2	48.0	4.79
3.2*	32.0	7.2	10.2	22.5	16.0	14.4	20.2	11.4	24.0	9.6	51.2	4.5	
4.0*	40.0	5.8	12.8	18.0	20.0	11.5	25.2	9.1	30.0	7.7	64.0	3.6	
16x/16 10 447 132 10 447 133	0.63	10.1	25.3	3.2	80.0	5.0	51.2	6.4	40.0	7.6	33.7	16.1	15.9
	0.8	12.8	20.0	4.1	62.4	6.4	40.0	8.1	31.6	9.6	26.7	20.5	12.5
	1.0	16.0	16.0	5.1	50.2	8.0	32.0	10.1	25.3	12.0	21.3	25.6	10.0
	1.25	20.0	12.8	6.4	40.0	10.0	25.6	12.6	20.3	15.0	17.1	32.0	8.0
	1.6	25.6	10.0	8.2	31.2	12.8	20.0	16.1	15.9	19.2	13.3	41.0	6.2
	2.0	32.0	8.0	10.2	25.1	16.0	16.0	20.2	12.7	24.0	10.7	51.2	5.0
	2.5	40.0	6.4	12.8	20.0	20.0	12.8	25.2	10.2	30.0	8.5	64.0	4.0
	3.0	48.0	5.33	15.4	16.7	24.0	10.7	30.2	8.47	36.0	7.11	76.8	3.33
3.2*	51.2	5.0	16.4	15.6	25.6	10.0	32.3	7.9	38.4	6.7	81.9	3.1	
4.0*	64.0	4.0	20.5	12.5	32.0	8.0	40.3	6.4	48.0	5.3	102.4	2.5	
16x/15 B 10 447 138 10 447 139	0.63	10.1	23.8	3.2	74.0	5.0	47.6	6.4	37.8	7.6	31.7	16.1	14.9
	0.8	12.8	18.8	4.1	58.6	6.4	37.5	8.1	29.8	9.6	25.0	20.5	11.7
	1.0	16.0	15.0	5.1	46.9	8.0	30.0	10.1	23.8	12.0	20.0	25.6	9.4
	1.25	20.0	12.0	6.4	37.5	10.0	24.0	12.6	19.0	15.0	16.0	32.0	7.5
	1.6	25.6	9.4	8.2	29.3	12.8	18.8	16.1	14.9	19.2	12.5	41.0	5.8
	2.0	32.0	7.5	10.2	23.4	16.0	15.0	20.2	11.9	24.0	10.0	51.2	4.7
	2.5	40.0	6.0	12.8	18.8	20.0	12.0	25.2	9.5	30.0	8.0	64.0	3.8
	3.0	48.0	5.0	15.4	15.6	24.0	10.0	30.2	7.94	36.0	6.67	76.8	3.13
	3.2*	51.2	4.7	16.4	14.6	25.6	9.4	32.3	7.4	38.4	6.2	81.9	2.9
4.0*	64.0	3.8	20.5	11.7	32.0	7.5	40.3	5.9	48.0	5.0	102.4	2.3	
20x/12 10 447 134 10 447 135	0.63	12.6	19.0	4.0	60.0	6.3	38.1	7.9	30.4	9.5	25.3	20.2	11.9
	0.8	16.0	15.0	5.1	47.1	8.0	30.0	10.1	23.8	12.0	20.0	25.6	9.4
	1.0	20.0	12.0	6.4	37.5	10.0	24.0	12.6	19.0	15.0	16.0	32.0	7.5
	1.25	25.0	9.6	8.0	30.0	12.5	19.2	15.8	15.2	18.8	12.8	40.0	6.0
	1.6	32.0	7.5	10.2	23.5	16.0	15.0	20.2	11.9	24.0	10.0	51.2	4.7
	2.0	40.0	6.0	12.8	18.8	20.0	12.0	25.2	9.5	30.0	8.0	64.0	3.8
	2.5	50.0	4.8	16.0	15.0	25.0	9.6	31.5	7.6	37.5	6.4	80.0	3.0
	3.0	60.0	4.0	19.2	12.5	30.0	8.0	37.8	6.35	45.0	5.33	96.0	2.5
	3.2*	64.0	3.8	20.5	11.7	32.0	7.5	40.3	6.0	48.0	5.0	102.4	2.3
4.0*	80.0	3.0	25.6	9.4	40.0	6.0	50.4	4.8	60.0	4.0	128.0	1.9	
25x/9.5 B 10 450 025	0.63	15.8	15.0	5.0	47.5	7.9	30.1	9.9	24.0	11.8	20.1	25.2	9.4
	0.8	20.0	11.9	6.4	37.1	10.0	23.8	12.6	18.8	15.0	15.8	32.0	7.4
	1.0	25.0	9.5	8.0	29.7	12.5	19.0	15.8	15.0	18.8	12.6	40.0	5.9
	1.25	31.3	7.6	10.0	23.8	15.6	15.2	19.7	12.1	23.4	10.1	50.0	4.8
	1.6	40.0	5.9	12.8	18.6	20.0	11.9	25.2	9.4	30.0	7.9	64.0	3.7
	2.0	50.0	4.8	16.0	14.8	25.0	9.5	31.5	7.5	37.5	6.3	80.0	3.0
	2.5	62.5	3.8	20.0	11.9	31.3	7.6	39.4	6.0	46.9	5.1	100.0	2.4
	3.0	75.0	3.17	24.0	9.9	37.5	6.33	47.3	5.03	56.3	4.22	120.0	1.98
	3.2*	80.0	3.0	25.6	9.3	40.0	5.9	50.4	4.7	60.0	4.0	128.0	1.9
4.0*	100.0	2.4	32.0	7.4	50.0	4.8	63.0	3.8	75.0	3.2	160.0	1.5	
40x/6 B 10 450 026	0.63	25.2	9.5	8.1	29.6	12.6	19.0	15.9	15.1	18.9	12.7	40.3	6.0
	0.8	32.0	7.5	10.2	23.5	16.0	15.0	20.2	11.9	24.0	10.0	51.2	4.7
	1.0	40.0	6.0	12.8	18.8	20.0	12.0	25.2	9.5	30.0	8.0	64.0	3.8
	1.25	50.0	4.8	16.0	15.0	25.0	9.6	31.5	7.6	37.5	6.4	80.0	3.0
	1.6	64.0	3.8	20.5	11.7	32.0	7.5	40.3	6.0	48.0	5.0	102.4	2.3
	2.0	80.0	3.0	25.6	9.4	40.0	6.0	50.4	4.8	60.0	4.0	128.0	1.9
	2.5	100.0	2.4	32.0	7.5	50.0	4.8	63.0	3.8	75.0	3.2	160.0	1.5
	3.0	120.0	2.0	38.4	6.25	60.0	4.0	75.6	3.17	90.0	2.67	192.0	1.25
	3.2*	128.0	1.9	41.0	5.9	64.0	3.8	80.6	3.0	96.0	2.5	204.8	1.2
4.0*	160.0	1.5	51.2	4.7	80.0	3.0	100.8	2.4	120.0	2.0	256.0	0.9	

* Zoom position 4.0 and 3.2 only for S6 models

with additional objectives													
2.0x		0.3x–0.4x		0.3x–0.4x		0.6x–0.75x		0.6x–0.75x		0.7x–1.0x		0.7x–1.0x	
35 mm		200 mm		350 mm		77 mm		137 mm		48 mm		98 mm	
Total Magnification	Object field (mm)	Total Magnification	Object field (mm)	Total Magnification	Object field (mm)	Total Magnification	Object field (mm)	Total Magnification	Object field (mm)	Total Magnification	Object field (mm)	Total Magnification	Object field (mm)
12.6	18.3	2.5	92.0	1.8	127.8	4.7	48.9	3.5	65.7	6.2	37.1	4.5	51.1
16.0	14.4	3.1	74.2	2.2	104.5	6.0	38.3	4.5	51.1	7.9	29.1	5.7	40.4
20.0	11.5	3.9	59.0	2.8	82.1	7.5	30.7	5.6	41.1	9.9	23.2	7.1	32.4
25.0	9.2	4.9	46.9	3.5	65.7	9.4	24.5	7.0	32.9	12.4	18.5	8.9	25.8
32.0	7.2	6.2	37.1	4.5	51.1	12.0	19.2	9.0	25.6	15.8	14.6	11.4	20.2
40.0	5.8	7.8	29.5	5.6	41.1	15.0	15.3	11.2	20.5	19.8	11.6	14.2	16.2
50.0	4.6	9.8	23.5	7.0	32.9	18.8	12.2	14.0	16.4	24.8	9.3	17.8	12.9
60.0	3.83	11.7	19.7	8.4	27.4	22.5	10.2	16.8	13.7	29.7	7.74	21.3	10.8
64.0	3.6	12.5	18.4	9.0	25.6	24.0	9.6	17.9	12.8	31.7	7.3	22.7	10.1
80.0	2.9	15.6	14.7	11.2	20.5	30.0	7.7	22.4	10.3	39.6	5.8	28.4	8.1
20.2	12.7	3.9	65.6	2.8	91.4	7.6	33.7	5.6	45.7	10.0	25.6	7.2	35.6
25.6	10.0	5.0	51.2	3.6	71.1	9.6	26.7	7.2	35.6	12.7	20.2	9.1	28.1
32.0	8.0	6.2	41.3	4.5	56.9	12.0	21.3	9.0	28.4	15.8	16.2	11.4	22.5
40.0	6.4	7.8	32.8	5.6	45.7	15.0	17.1	11.2	22.9	19.8	12.9	14.2	18.0
51.2	5.0	10.0	25.6	7.2	35.6	19.2	13.3	14.3	17.9	25.3	10.1	18.2	14.1
64.0	4.0	12.5	20.5	9.0	28.4	24.0	10.7	17.9	14.3	31.7	8.1	22.7	11.3
80.0	3.2	15.6	16.4	11.2	22.9	30.0	8.5	22.4	11.4	39.6	6.5	28.4	9.0
96.0	2.67	18.7	13.7	13.4	19.0	36.0	7.11	26.9	9.52	47.5	5.39	34.1	7.51
102.4	2.5	20.0	12.8	14.3	17.9	38.4	6.7	28.7	8.9	50.7	5.0	36.4	7.0
128.0	2.0	25.0	10.2	17.9	14.3	48.0	5.3	35.8	7.2	63.4	4.0	45.4	5.6
20.2	11.9	3.9	61.5	2.8	85.7	7.6	31.6	5.6	42.9	10.0	24.0	7.2	33.3
25.6	9.4	5.0	48.0	3.6	66.6	9.6	25.0	7.2	33.3	12.7	18.9	9.1	26.4
32.0	7.5	6.2	38.7	4.5	53.4	12.0	20.0	9.0	26.7	15.8	15.2	11.4	21.0
40.0	6.0	7.8	30.8	5.6	42.9	15.0	16.0	11.2	21.4	19.8	12.1	14.2	16.9
51.2	4.7	10.0	24.0	7.2	33.3	19.2	12.5	14.3	16.8	25.3	9.5	18.2	13.2
64.0	3.8	12.5	19.2	9.0	26.7	24.0	10.0	17.9	13.4	31.7	7.6	22.7	10.6
80.0	3.0	15.6	15.4	11.2	21.4	30.0	8.0	22.4	10.7	39.6	6.1	28.4	8.5
96.0	2.5	18.7	12.8	13.4	17.9	36.0	6.67	26.9	8.93	47.5	5.05	34.1	7.04
102.4	2.3	20.0	12.0	14.3	16.8	38.4	6.2	28.7	8.4	50.7	4.7	36.4	6.6
128.0	1.9	25.0	9.6	17.9	13.4	48.0	5.0	35.8	6.8	63.4	3.8	45.4	5.3
25.2	9.5	4.9	49.0	3.5	68.6	9.5	25.3	7.1	33.8	12.5	19.2	8.9	27.0
32.0	7.5	6.2	38.7	4.5	53.3	12.0	20.0	9.0	26.7	15.8	15.2	11.4	21.1
40.0	6.0	7.8	30.8	5.6	42.9	15.0	16.0	11.2	21.4	19.8	12.1	14.2	16.9
50.0	4.8	9.8	24.5	7.0	34.3	18.8	12.8	14.0	17.1	24.8	9.7	17.8	13.5
64.0	3.8	12.5	19.2	9.0	26.7	24.0	10.0	17.9	13.4	31.7	7.6	22.7	10.6
80.0	3.0	15.6	15.4	11.2	21.4	30.0	8.0	22.4	10.7	39.6	6.1	28.4	8.5
100.0	2.4	19.5	12.3	14.0	17.1	37.5	6.4	28.0	8.6	49.5	4.8	35.5	6.8
120.0	2.0	23.4	10.3	16.8	14.3	45.0	5.33	33.6	7.14	59.4	4.04	42.6	5.63
128.0	1.9	25.0	9.6	17.9	13.4	48.0	5.0	35.8	6.7	63.4	3.8	45.4	5.3
160.0	1.5	31.2	7.7	22.4	10.7	60.0	4.0	44.8	5.4	79.2	3.0	56.8	4.2
31.5	7.5	6.1	38.9	4.4	54.0	11.8	20.1	8.8	27.0	15.6	15.2	11.2	21.2
40.0	5.9	7.8	30.4	5.6	42.4	15.0	15.8	11.2	21.2	19.8	12.0	14.2	16.7
50.0	4.8	9.8	24.2	7.0	33.9	18.8	12.6	14.0	17.0	24.8	9.6	17.8	13.3
62.5	3.8	12.2	19.5	8.8	27.0	23.4	10.1	17.5	13.6	30.9	7.7	22.2	10.7
80.0	3.0	15.6	15.2	11.2	21.2	30.0	7.9	22.4	10.6	39.6	6.0	28.4	8.4
100.0	2.4	19.5	12.2	14.0	17.0	37.5	6.3	28.0	8.5	49.5	4.8	35.5	6.7
125.0	1.9	24.4	9.7	17.5	13.6	46.9	5.1	35.0	6.8	61.9	3.8	44.4	5.3
150.0	1.58	29.3	8.12	21.0	11.3	56.3	4.22	42.0	5.65	74.3	3.2	53.3	4.46
160.0	1.5	31.2	7.6	22.4	10.6	60.0	4.0	44.8	5.3	79.2	3.0	56.8	4.2
200.0	1.2	39.0	6.1	28.0	8.5	75.0	3.2	56.0	4.2	99.0	2.4	71.0	3.3
50.4	4.8	9.8	24.5	7.1	33.8	18.9	12.7	14.1	17.0	24.9	9.6	17.9	13.4
64.0	3.8	12.5	19.2	9.0	26.7	24.0	10.0	17.9	13.4	31.7	7.6	22.7	10.6
80.0	3.0	15.6	15.4	11.2	21.4	30.0	8.0	22.4	10.7	39.6	6.1	28.4	8.5
100.0	2.4	19.5	12.3	14.0	17.1	37.5	6.4	28.0	8.6	49.5	4.8	35.5	6.8
128.0	1.9	25.0	9.6	17.9	13.4	48.0	5.0	35.8	6.7	63.4	3.8	45.4	5.3
160.0	1.5	31.2	7.7	22.4	10.7	60.0	4.0	44.8	5.4	79.2	3.0	56.8	4.2
200.0	1.2	39.0	6.2	28.0	8.6	75.0	3.2	56.0	4.3	99.0	2.4	71.0	3.4
240.0	1.0	46.8	5.13	33.6	7.14	90.0	2.67	67.2	3.57	119.0	2.02	85.2	2.82
256.0	0.9	49.9	4.8	35.8	6.7	96.0	2.5	71.7	3.3	126.7	1.9	90.9	2.6
320.0	0.8	62.4	3.8	44.8	5.4	120.0	2.0	89.6	2.7	158.4	1.5	113.6	2.1

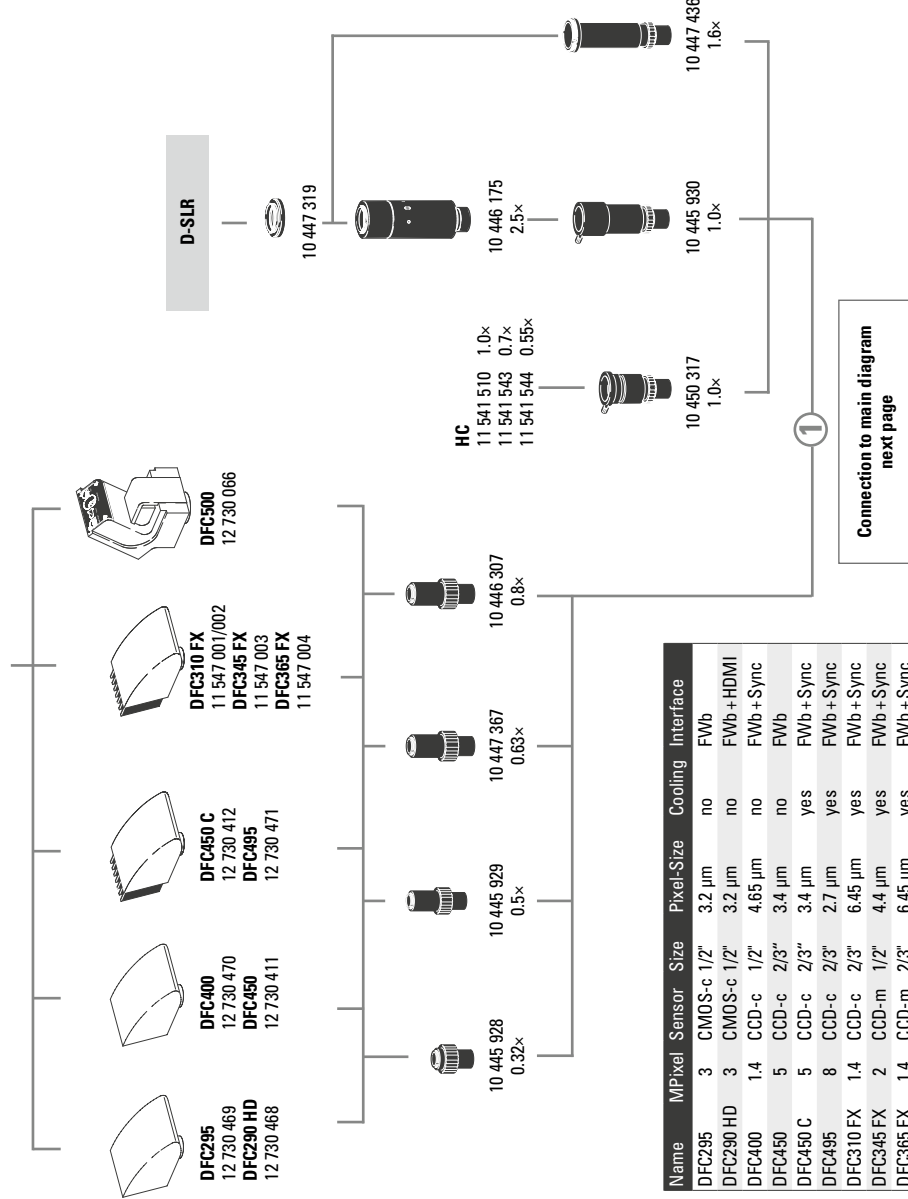
Optical data Leica StereoZoom® S8 APO

				Apochromat						Achromat	
				0.63×		1.6×		2.0×		0.32×	
Working distance		75 mm		101 mm		37 mm		25 mm		200 mm	
Eyepieces	Zoom position	Total Magnification	Object field (mm)	Total Magnification	Object field (mm)	Total Magnification	Object field (mm)	Total Magnification	Object field (mm)	Total Magnification	Object field (mm)
10×/23 10 447 130 10 447 131 10 447 136 10 447 137	1.0	10.0	23.0	6.3	36.5	16.0	14.4	20.0	11.5	3.2	71.9
	1.25	12.5	18.4	7.9	29.1	20.0	11.5	25.0	9.2	4.0	57.5
	1.6	16.0	14.4	10.1	22.8	25.6	9.0	32.0	7.2	5.1	45.1
	2.0	20.0	11.5	12.6	18.3	32.0	7.2	40.0	5.8	6.4	35.9
	2.5	25.0	9.2	15.8	14.6	40.0	5.8	50.0	4.6	8.0	28.8
	3.2	32.0	7.2	20.2	11.4	51.2	4.5	64.0	3.6	10.2	22.5
	4.0	40.0	5.8	25.2	9.1	64.0	3.6	80.0	2.9	12.8	18.0
	5.0	50.0	4.6	31.5	7.3	80.0	2.9	100.0	2.3	16.0	14.4
6.3	63.0	3.7	39.7	5.8	100.8	2.3	126.0	1.8	20.2	11.4	
8.0	80.0	2.9	50.4	4.6	128.0	1.8	160.0	1.4	25.6	9.0	
16×/16 10 447 132 10 447 133	1.0	16.0	16.0	10.1	25.3	25.6	10.0	32.0	8.0	5.1	43.9
	1.25	20.0	12.8	12.6	20.3	32.0	8.0	40.0	6.4	6.4	35.0
	1.6	25.6	10.0	16.1	15.9	41.0	6.2	51.2	5.0	8.2	27.3
	2.0	32.0	8.0	20.2	12.7	51.2	5.0	64.0	4.0	10.2	22.0
	2.5	40.0	6.4	25.2	10.2	64.0	4.0	80.0	3.2	12.8	17.5
	3.2	51.2	5.0	32.3	7.9	81.9	3.1	102.4	2.5	16.4	13.7
	4.0	64.0	4.0	40.3	6.4	102.4	2.5	128.0	2.0	20.5	10.9
	5.0	80.0	3.2	50.4	5.1	128.0	2.0	160.0	1.6	25.6	8.8
6.3	100.8	2.5	63.5	4.0	161.3	1.6	201.6	1.3	32.3	6.9	
8.0	128.0	2.0	80.6	3.2	204.8	1.3	256.0	1.0	41.0	5.5	
16×/15 B 10 447 138 10 447 139	1.0	16.0	15.0	10.1	23.7	25.6	9.4	32.0	7.5	5.1	41.2
	1.25	20.0	12.0	12.6	19.0	32.0	7.5	40.0	6.0	6.4	32.8
	1.6	25.6	9.4	16.1	14.9	41.0	5.8	51.2	4.7	8.2	25.6
	2.0	32.0	7.5	20.2	11.9	51.2	4.7	64.0	3.8	10.2	20.6
	2.5	40.0	6.0	25.2	9.6	64.0	3.8	80.0	3.0	12.8	16.4
	3.2	51.2	4.7	32.3	7.4	81.9	2.9	102.4	2.3	16.4	12.8
	4.0	64.0	3.8	40.3	6.0	102.4	2.3	128.0	1.9	20.5	10.2
	5.0	80.0	3.0	50.4	4.8	128.0	1.9	160.0	1.5	25.6	8.3
6.3	100.8	2.3	63.5	3.8	161.3	1.5	201.6	1.2	32.3	6.5	
8.0	128.0	1.9	80.6	3.0	204.8	1.2	256.0	0.9	41.0	5.2	
20×/12 10 447 134 10 447 135	1.0	20.0	12.0	12.6	19.0	32.0	7.5	40.0	6.0	6.4	37.5
	1.25	25.0	9.6	15.8	15.2	40.0	6.0	50.0	4.8	8.0	30.0
	1.6	32.0	7.5	20.2	11.9	51.2	4.7	64.0	3.8	10.2	23.5
	2.0	40.0	6.0	25.2	9.5	64.0	3.8	80.0	3.0	12.8	18.8
	2.5	50.0	4.8	31.5	7.6	80.0	3.0	100.0	2.4	16.0	15.0
	3.2	64.0	3.8	40.3	6.0	102.4	2.3	128.0	1.9	20.5	11.7
	4.0	80.0	3.0	50.4	4.8	128.0	1.9	160.0	1.5	25.6	9.4
	5.0	100.0	2.4	63.0	3.8	160.0	1.5	200.0	1.2	32.0	7.5
6.3	126.0	1.9	79.4	3.0	201.6	1.2	252.0	1.0	40.3	6.0	
8.0	160.0	1.5	100.8	2.4	256.0	0.9	320.0	0.8	51.2	4.7	
25×/9.5 B 10 450 025	1.0	25.0	9.5	15.8	15.0	40.0	5.9	50.0	4.8	8.0	29.7
	1.25	31.3	7.6	19.7	12.1	50.0	4.8	62.5	3.8	10.0	23.8
	1.6	40.0	5.9	25.2	9.4	64.0	3.7	80.0	3.0	12.8	18.6
	2.0	50.0	4.8	31.5	7.5	80.0	3.0	100.0	2.4	16.0	14.8
	2.5	62.5	3.8	39.4	6.0	100.0	2.4	125.0	1.9	20.0	11.9
	3.2	80.0	3.0	50.4	4.7	128.0	1.9	160.0	1.5	25.6	9.3
	4.0	100.0	2.4	63.0	3.8	160.0	1.5	200.0	1.2	32.0	7.4
	5.0	125.0	1.9	78.8	3.0	200.0	1.2	250.0	1.0	40.0	5.9
6.3	157.5	1.5	99.2	2.4	252.0	0.9	315.0	0.8	50.4	4.7	
8.0	200.0	1.2	126.0	1.9	320.0	0.7	400.0	0.6	64.0	3.7	
40×/6 B 10 450 026	1.0	40.0	6.0	25.2	9.5	64.0	3.8	80.0	3.0	12.8	18.8
	1.25	50.0	4.8	31.5	7.6	80.0	3.0	100.0	2.4	16.0	15.0
	1.6	64.0	3.8	40.3	6.0	102.4	2.3	128.0	1.9	20.5	11.7
	2.0	80.0	3.0	50.4	4.8	128.0	1.9	160.0	1.5	25.6	9.4
	2.5	100.0	2.4	63.0	3.8	160.0	1.5	200.0	1.2	32.0	7.5
	3.2	128.0	1.9	80.6	3.0	204.8	1.2	256.0	0.9	41.0	5.9
	4.0	160.0	1.5	100.8	2.4	256.0	0.9	320.0	0.8	51.2	4.7
	5.0	200.0	1.2	126.0	1.9	320.0	0.8	400.0	0.6	64.0	3.8
6.3	252.0	1.0	158.8	1.5	403.2	0.6	504.0	0.5	80.6	3.0	
8.0	320.0	0.8	201.6	1.2	512.0	0.5	640.0	0.4	102.4	2.3	



- Digital camera systems**
- 12 730 469 Leica DFC295 camera kit*
 - 12 730 468 Leica DFC290 HD camera kit
 - 12 730 470 Leica DFC400 camera kit
 - 12 730 411 Leica DFC450 camera kit
 - 12 730 412 Leica DFC450 C camera kit
 - 12 730 471 Leica DFC495 camera kit
 - 11 547 001 Leica DFC310 FX camera kit for Mac*
 - 11 547 002 Leica DFC310 FX camera kit for PC
 - 11 547 003 Leica DFC345 FX camera kit
 - 11 547 004 Leica DFC365 FX camera kit
 - 12 730 066 Leica DFC500 camera kit*
 - 12 730 054 Leica IC D camera kit*
 - 12 730 066 Leica IC 3D camera kit*
- * Mac-Support**
- 12 730 216 Leica IC80 HD camera (incl. USB cable and LAS EZ software) – not recommended for MZ10 F / M165 FC / M205 FA
 - 12 730 228 Leica Stand-alone kit (USB power pack, video cable, HDMI-cable, SD card, HD RC remote control) for ICD80 HD
 - 12 730 229 Palm or foot switch with 2m cable for ICD80 HD

- Digital camera system accessories**
- 12 446 120 FireWire cable, FW-a-a, 2.5 m, 6-pin to 6-pin
 - 12 730 186 FireWire cable, FW-b-b, 2.5 m, 9-pin to 9-pin
 - 12 730 187 FireWire cable, FW-a-b, 2.5 m, 6-pin to 9-pin
 - 12 730 211 HDMI cable, 3m, HDMI both ends
 - 12 730 183 OHCI FireWire PCI32 card, FWa+b+USB2
 - 12 730 210 OHCI FireWire PCI express card, FW-b
 - 12 730 446 FW-b Notebook Kit (includes PCcard Express, power supply: 100–240 V, 24 W, adapter FW-b-a)
 - 12 730 447 OHCI FireWire PCI express card Low Profile, FW-b
 - 12 730 225 PowerKit for DFC290 HD, FW-b
- Photo tubes and C-mounts**
- 10 447 319 Adapter T2, Canon EOS
 - 10 447 436 1.6x DSLR tube with T2 thread (APS-C sensor)
 - 10 446 175 2.5x DSLR tube with T2 thread (24x36 mm sensor)
 - 10 445 928 0.32x video objective with C-mount for 1/3" digital cameras
 - 10 445 929 0.5x video objective with C-mount for 1/2" digital cameras
 - 10 447 367 0.63x video objective with C-mount for 2/3" digital cameras
 - 10 446 307 0.8x video objective with C-mount for 2/3" digital cameras
 - 10 445 930 1.0x video/photo objective
 - 10 450 317 1.0x C-mount-adapter for HC



Name	M/ Pixel	Sensor	Size	Pixel-Size	Cooling	Interface
DFC295	3	CMOS-c	1/2"	3.2 µm	no	FWb
DFC290 HD	3	CMOS-c	1/2"	3.2 µm	no	FWb+HDMI
DFC400	1.4	CCD-c	1/2"	4.65 µm	no	FWb+Sync
DFC450	5	CCD-c	2/3"	3.4 µm	no	FWb
DFC450 C	5	CCD-c	2/3"	3.4 µm	yes	FWb+Sync
DFC495	8	CCD-c	2/3"	2.7 µm	yes	FWb+Sync
DFC310 FX	1.4	CCD-c	2/3"	6.45 µm	yes	FWb+Sync
DFC345 FX	2	CCD-m	1/2"	4.4 µm	yes	FWb+Sync
DFC365 FX	1.4	CCD-m	2/3"	6.45 µm	yes	FWb+Sync
DFC500	12	CCD-c	2/3"	6.45 µm	yes	FWa+Sync

-c: color / -m: monochrome

V1 – 2012

Eyepieces, eyecups included

- 10 447 136 10x/23B eyepiece for eyeglasses, fixed
- 10 447 137 10x/23B eyepiece for eyeglasses, adjustable*
- 10 447 138 16x/15B eyepiece for eyeglasses, fixed
- 10 447 139 16x/15B eyepiece for eyeglasses, adjustable*
- 10 447 130 10x/23 eyepiece, fixed
- 10 447 131 10x/23 eyepiece, adjustable*
- 10 447 132 16x/16 eyepiece, fixed
- 10 447 133 16x/16 eyepiece, adjustable*
- 10 447 134 20x/12 eyepiece, fixed
- 10 447 135 20x/12 eyepiece, adjustable*

* accept reticles

Stereomicroscopes

- 10 446 293 Leica S4 E StereoZoom® 0.63x–3.0x, 4.8:1 zoom, 38° viewing angle
- 10 446 294 Leica S6 E StereoZoom® 0.63x–4.0x, 6.3:1 zoom, 38° viewing angle
- 10 446 295 Leica S6 StereoZoom® 0.63x–4.0x, 6.3:1 zoom, 60° viewing angle
- 10 446 296 Leica S6 T StereoZoom® 0.63x–4.0x, 6.3:1 zoom, 38° viewing angle, conductive
- 10 446 297 Leica S6 D StereoZoom® 0.63x–4.0x, 6.3:1 zoom, 38° viewing angle, video/photo tube
- 10 446 298 Leica S8 APO StereoZoom® 1.0x–8.0x with apochromatically corrected zoom optics, 8:1 zoom, 38° viewing angle, video/photo tube

Spare parts

- 10 447 149 Eyecups, pair for eyepieces
- 10 447 150 Eyecups, one pair for eyepiece for eyeglasses
- 10 447 326 Zoom knobs, pair, S8 APO size
- S4 E, S6 E, S6, S6 T, S6 D objectives**
- 10 446 316 Objective 0.32x, WD 300 mm
- 10 446 318 Objective 0.5x, WD 200 mm
- 10 446 319 Objective 0.63x, WD 155 mm
- 10 446 320 Objective 0.75x, WD 130 mm
- 10 446 321 Objective 1.6x, WD 55 mm
- 10 446 322 Objective 2.0x, WD 35 mm
- 10 446 324 Lens shield for S4 / S6 / S8 APO
- 10 446 325 Adjustable objective 0.3x–0.4x, WD 200–350 mm
- 10 446 323 ErgoObjective 0.6x–0.75x, WD 77–137 mm
- 10 446 317 ErgoObjective 0.7x–1.0x, WD 48–98 mm

S8 APO objectives

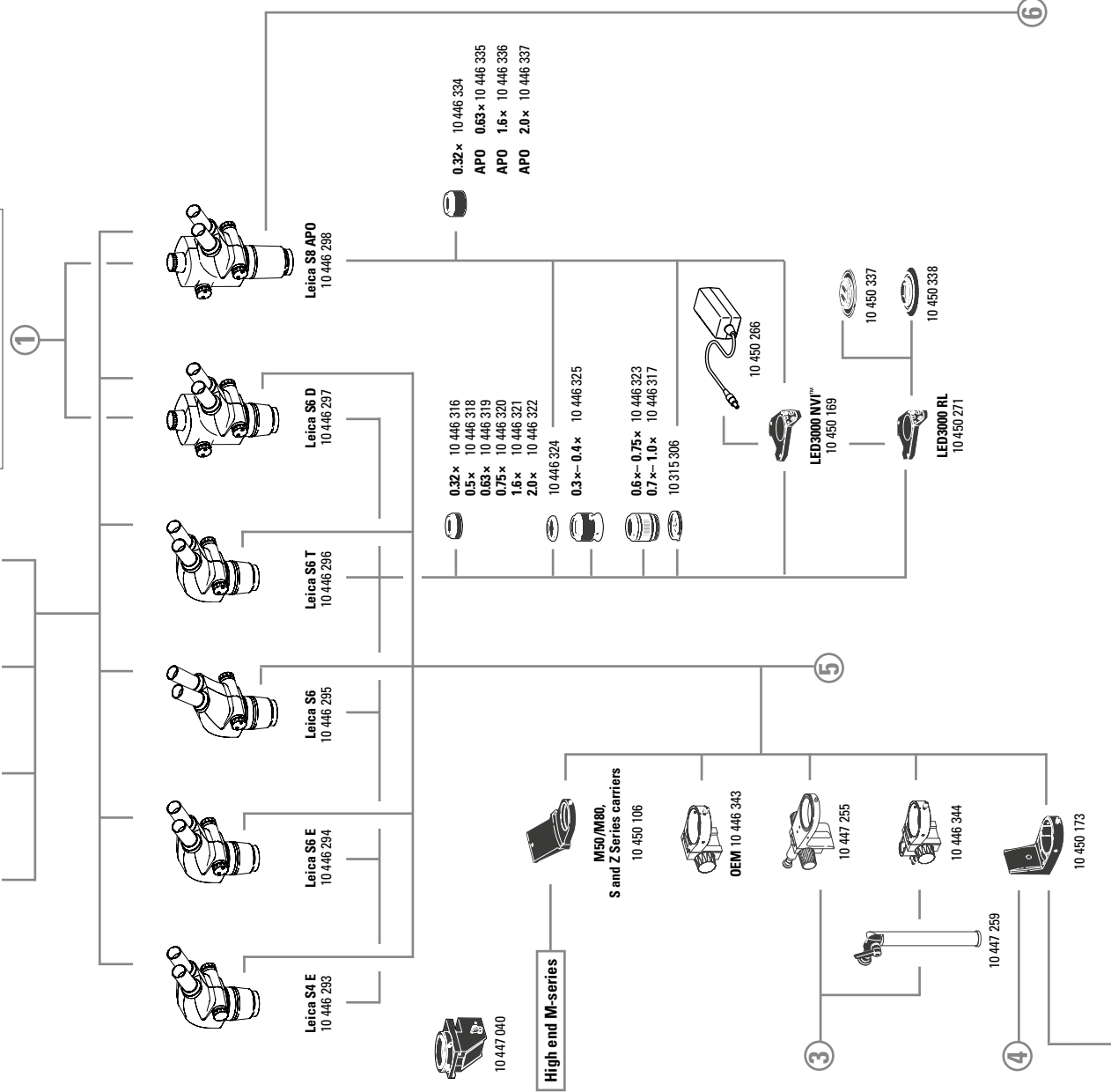
- 10 446 334 Objective 0.32x, WD 200 mm
- 10 446 335 Apochromatic objective 0.63x, WD 100 mm
- 10 446 336 Apochromatic objective 1.6x, WD 37 mm
- 10 446 337 Apochromatic objective 2.0x, WD 25 mm

Illuminators

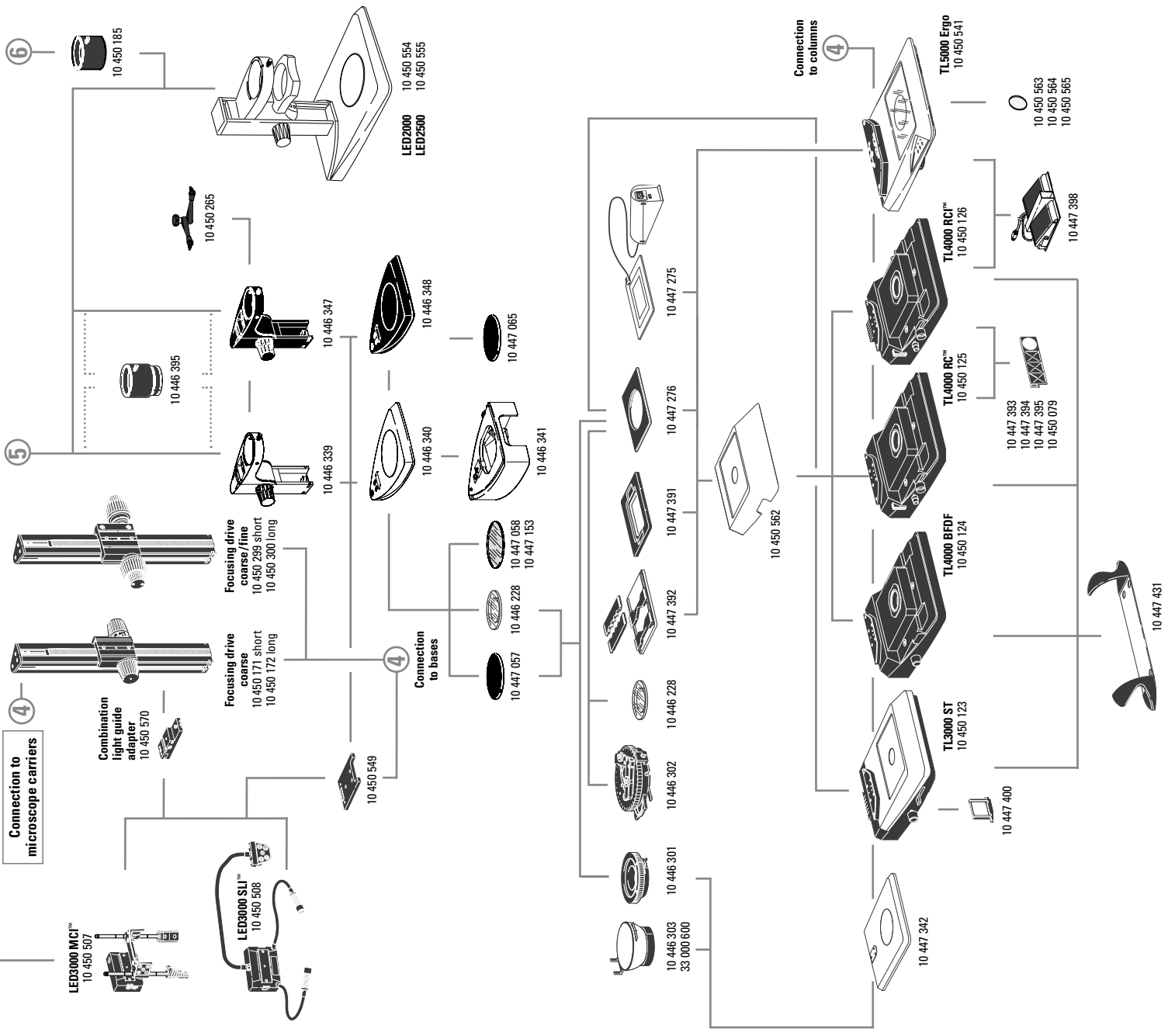
- 10 450 271 LED3000 RL – ring illuminator, Ø 58 mm objectives, 24 power LEDs, 5600 K color temperature, optimized LED auxiliary lens, selectable segments, optimized for 60–150 mm working distance
- 10 450 337 Polarization set for Leica LED3000 RL
- 10 450 338 Diffuser for Leica LED3000 RL
- 10 450 169 LED3000 NVI™ – vertical illumination for M50/M80 for using objectives with major diameter 58 mm
- 10 450 501 RLA 58/66 ring light adapter for LED3000 RL and LED3000 NVI™ to objectives with Ø 66 mm

- 10 x 10 447 136 16 x 10 447 138
- 10 x 10 447 137 16 x 10 447 139
- 10 x 10 447 130 16 x 10 447 132
- 10 x 10 447 131 16 x 10 447 133
- 20 x 10 447 134 20 x 10 447 135

Connection to camera diagram previous page



- 10 450 508 LED3000 SLI™, spotlight illumination, double-armed gooseneck 300 mm long, 2 power LEDs, 5600 K color temperature, control unit on separate gooseneck, incl. diffuser pair
- 10 450 507 LED3000 MCI™, multi-contrast illumination with 4 power LEDs, 5700 K color temperature, selectable scenes
- 10 450 549 Adapter for LED3000 MCI™ & LED3000 SLI™; For installation between the focusing column and baseplate
- 10 450 570 Combination light guide-adaptor to focusing columns of the routine M series, for LED3000 SLI™ and LED3000 MCI™
- 10 450 266 Power supply unit for LED3000/LED5000
- Focusing columns/ arms/ carriers and accessories**
- 10 446 343 Focusing arm
- 10 450 106 Microscope carrier for M50/M80, S- and Z-series
- 10 447 255 Focusing arm, inclinable for OEM and swing-arm stands
- 10 446 344 Focusing arm for 25 mm column
- 10 447 259 Carrier rod 25 mm, inclinable
- 10 450 173 Microscope carrier for M-Series with 76 mm interface
- 10 447 040 Attachment for vertical/oblique observation for S4 E/ S6
- 10 450 171 Coarse focusing drive with profile column 300 mm
- 10 450 172 Coarse focusing drive with profile column 500 mm
- 10 450 299 Coarse/fine focusing drive with profile column 300 mm
- 10 450 300 Coarse/fine focusing drive with profile column 500 mm
- 10 450 265 Articulated arm; M5/ M6
- 10 450 570 Combination light guide adapter for installation on the focusing column
- 10 446 339 Focusing column
- 10 446 347 Focusing column T, for S6 T
- 10 446 395 5 cm Extension for 0.5x objective for S4/S6
- Bases and accessories**
- 10 446 340 Base for S4/S6/S8 APO
- 10 446 348 Base T for S6T
- 10 446 341 Sub-base for transmitted light
- 10 447 342 Incident light base with insert
- 10 450 554 LED2000 – Incident light base with LED illumination
- 10 450 555 LED2500 – Incident light and transmitted light base with LED illumination
- 10 450 185 Adapter for S8 APO to LED2000/LED2500
- 10 450 123 Transmitted light base TL3000 ST
- 10 450 124 Transmitted light base TL4000 BFDF
- 10 450 125 Transmitted light base TL4000 RC™ for external cold-light sources
- 10 450 126 Transmitted light base TL4000 RC™ with internal halogen illumination
- 10 450 541 Transmitted light base TL5000 Ergo with integrated LED illumination
- 10 447 269 Standard stage for transmitted light bases TL3000 BFDF, TL4000 RC™ and TL4000 RC™
- 10 447 400 Daylight filter for TL3000 ST base
- 10 447 393 ND filter (neutral density filter) for TL4000 RC™/ RCI™ base
- 10 447 394 BG38 filter for TL4000 RC™/RCI™ transmitted light base
- 10 447 395 UV filter for TL4000 RC™/RCI™ base
- 10 450 079 Daylight filter for TL4000 RC™/TL4000 RCI™ base
- 10 450 563 Milk glass filter for TL5000 Ergo
- 10 450 564 Green filter for TL5000 Ergo
- 10 450 565 Polarization filter for TL5000 Ergo
- 10 447 443 Leica ErgoRest™, freely programmable, five-button mouse for connection to TL4000 RCI™ or PC
- 10 447 398 Foot pedal
- 10 447 431 Leica ErgoRest™ handrest for fatigue-free working



Stages

- 10 446 301 Gliding stage, 120 mm
- 10 446 303 Cup stage, 120 mm interface, Ø 100 mm
- 33 000 600 Cup stage, Ø 120 mm, surface Ø 150 mm, revolving
- 10 447 058 Glass stage plate
- 10 447 153 Glass stage plate, matte
- 10 447 057 Stage plate b/w
- 10 447 065 Stage plate S6 T, dissipating
- 10 447 275 Leica MATS TL heating stage insert with control unit for TL bases
- 10 447 276 Adapter for stages with Ø 120 mm
- 10 447 391 Stage for LiveOnStage accessories
- 10 447 392 Universal carrier for Petri dishes, specimen slides

Polarization

- 10 446 228 Glass stage plate with polarizer
- 10 315 306 Analyzer in rotating mount

Measuring

- 10 446 447 Reticule 10 mm/0.1 mm
- 10 446 448 Reticule 5 mm/0.1 mm
- 10 446 449 Reticule 5 mm/0.05 mm
- 10 447 000 Graticule, 100 scale intervals / 0.002"
- 10 447 001 Graticule, 100 scale intervals / 0.001"
- 10 447 002 Graticule, 150 scale intervals / 0.0005"
- 10 446 450 Crosshair graticule
- 10 310 345 Stage micrometer, 50 mm scale with 0.1 mm and 0.01 mm graduation
- 10 447 037 Stage micrometer 1", 0.001" graduation

Flex arm stands

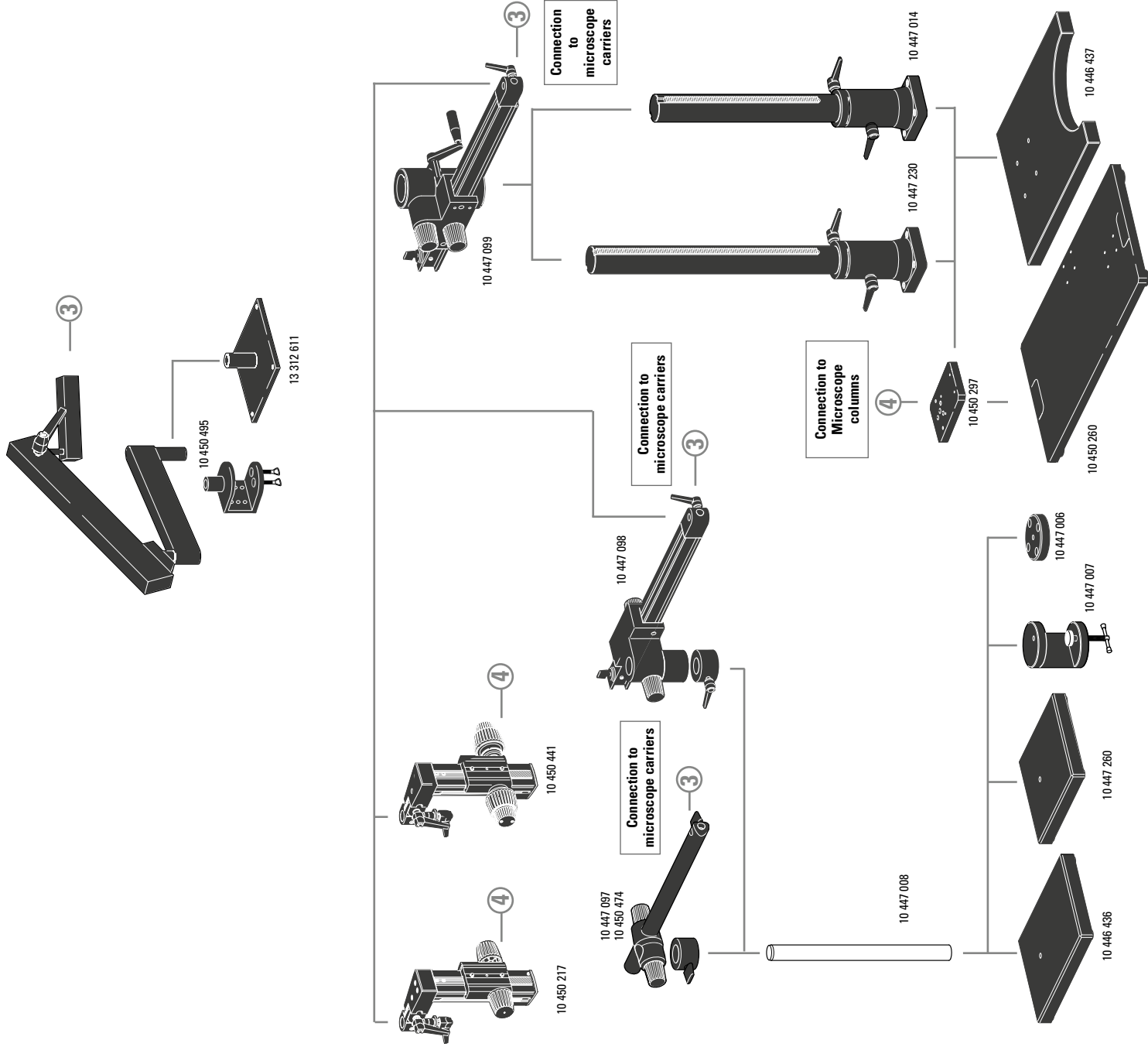
- 10 450 495 Flex-arm stand with table clamp
- 13 312 611 Table holder for flex-arm stand

Swing-arm stands

- 10 447 260 Base plate, small
- 10 446 436 Base plate, medium
- 10 447 008 Vertical column 470/35 mm
- 10 447 097 Horizontal arm ESD, 500 mm
- 10 450 474 Horizontal arm ESD, 290 mm
- 10 447 098 Horizontal arm, standard
- 10 447 006 Flange
- 10 447 007 Stage clamp

- 10 446 437 Base plate, large
- 10 447 014 Vertical column 560/57 mm
- 10 447 230 Vertical column 800/57 mm
- 10 447 099 Horizontal arm, large
- 10 450 217 Focusing drive with inclinable column
- 10 450 441 Focusing drive coarse/ fine with inclinable column

- 10 450 260 Universal plate XL for specimens up to 300 x 300 mm
- 10 450 297 Adapter for universal plate 10 450 260 for all swing-arm columns



ARTICLE DESCRIPTIONS

Leica KL200 LED illumination

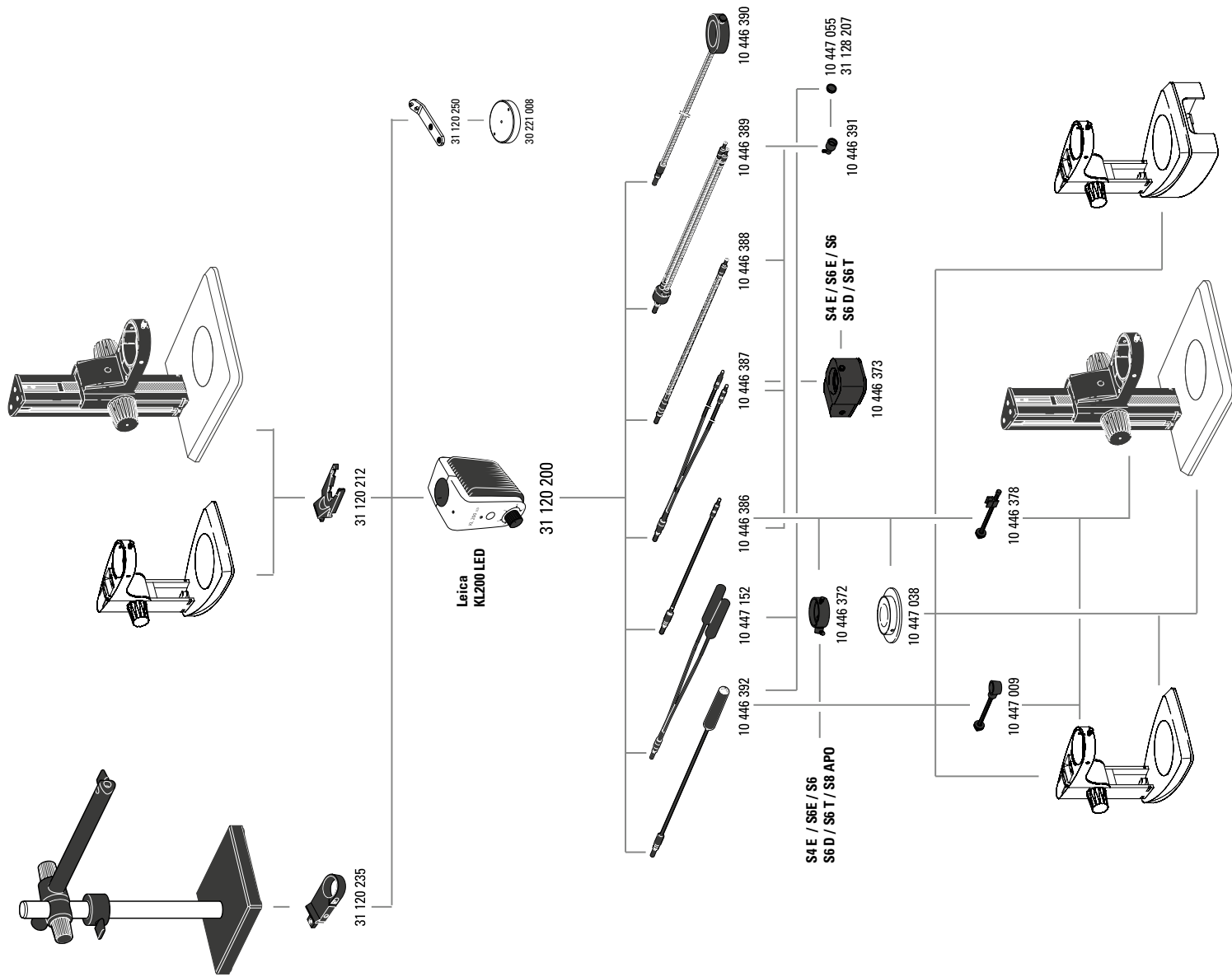
- 31 120 200 KL200 LED cold light LED source
- 31 120 212 KL200 LED adapter for focus column
- 31 120 235 KL200 LED adapter for swing-arm stand
- 30 221 008 Base Plate for KL200 LED
- 31 120 250 KL200 LED Adapter for Base Plate
- 10 446 392 Universal light guide, 600 mm
- 10 447 317 Universal light guide, 1000 mm
- 10 447 152 Universal light guide, 2-arm, 600 mm
- 10 446 386 Flexible light guide, 1-arm, 550 mm
- 10 446 387 Flexible light guide, 2-arm, 750 mm
- 10 446 388 Gooseneck light guide 1-arm, 500 mm
- 10 446 389 Gooseneck light guide 2-arm, 500 mm
- 10 446 390 6-point ring illuminator, internal diameter 58 mm, 750 mm
- 10 447 038 Transmitted light stage
- 10 446 391 Auxiliary focusing lens
- 10 447 055 Daylight filter for auxiliary focus
- 31 128 207 Filter, warm-white, approx. 3200 K
- 10 446 378 Arm for flexible light guide
- 10 447 009 Arm for universal light guide
- 10 446 372 Vertical illumination
- 10 446 373 Coaxial illumination S4/S6/S8 APO

Auxiliary lamp for Leica L2

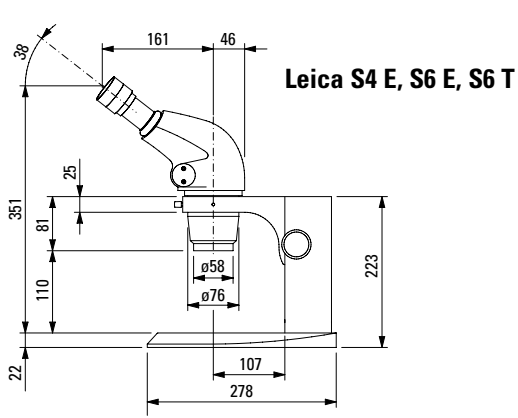
- 10 447 056 Halogen lamp 8 V/20 W, L2

International power cables

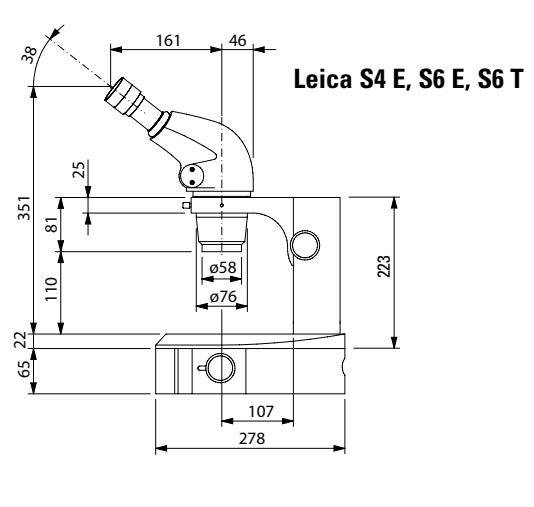
- 10 280 636 Power cable, 2 m, CH
- 10 445 661 Power cable, 2 m, with USA plug
- 10 445 662 Power cable, 2 m, with EURO plug
- 10 445 663 Power cable, 2 m, with British Standard
- 10 447 346 Power cable, 2 m, with Japan plug
- 10 450 012 Power cable, 2 m, with Argentina plug type K
- 10 450 013 Power cable, 2 m, with Australia plug type F
- 10 450 014 Power cable, 2 m, with China plug type L
- 10 450 015 Power cable, 2 m, with Israel plug type L
- 10 450 016 Power cable, 2 m, with Italy plug type E
- 10 450 017 Power cable, 2 m, with South Africa plug type D
- 10 450 545 Power cable, 2.5 m, with Brazil plug



Dimensions Leica S4 E, S6 E, S6 T with incident light stand

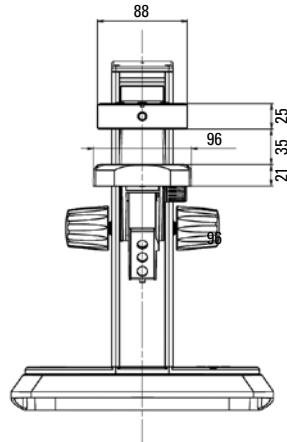
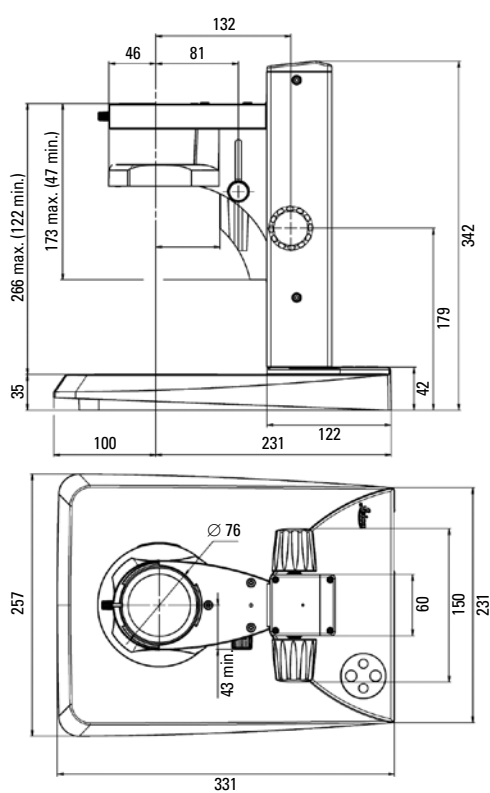


with transmitted light stand

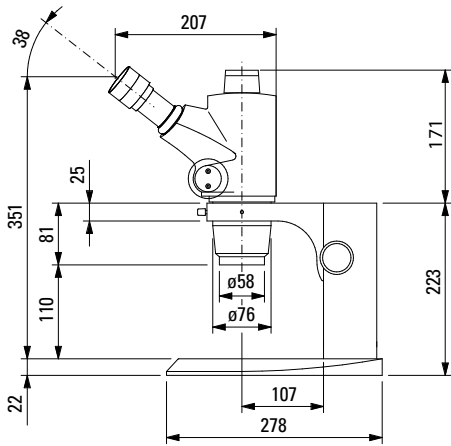


Dimensions in mm

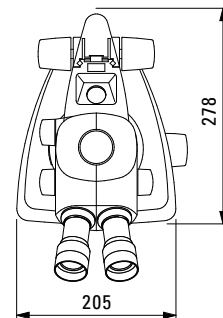
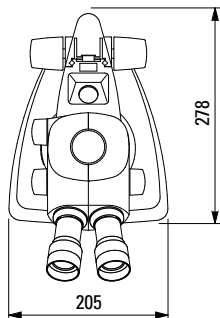
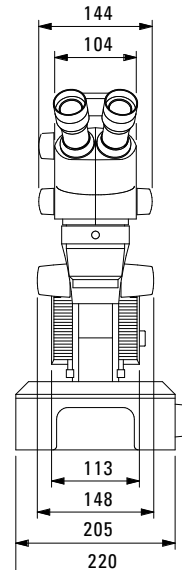
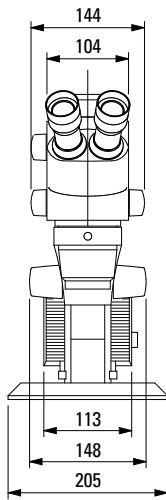
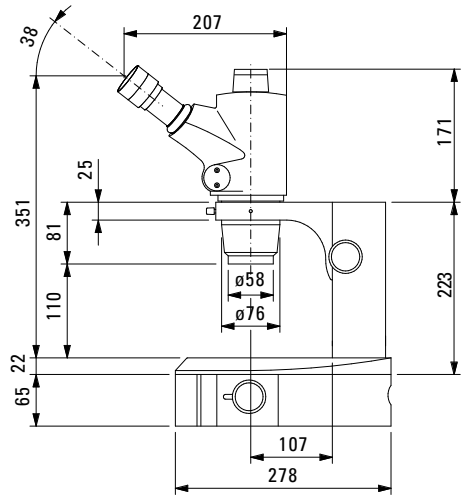
Dimensions LED2000 / LED2500



Dimensions Leica S6 D with incident light stand

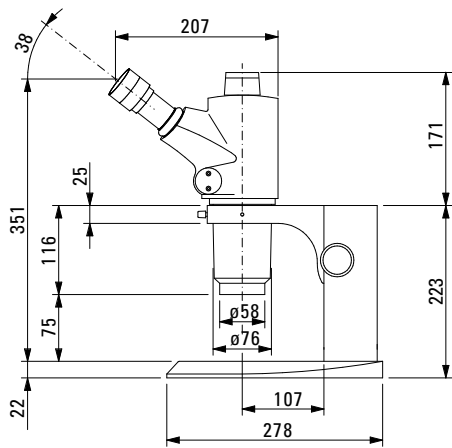


with transmitted light stand

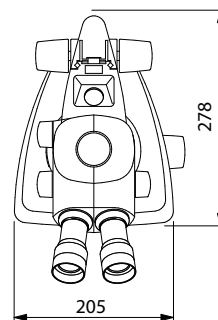
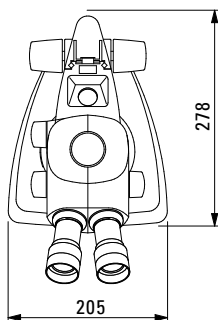
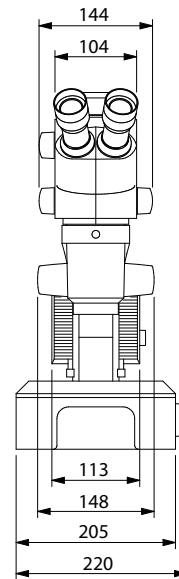
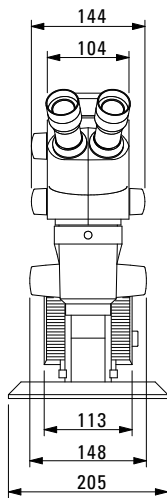
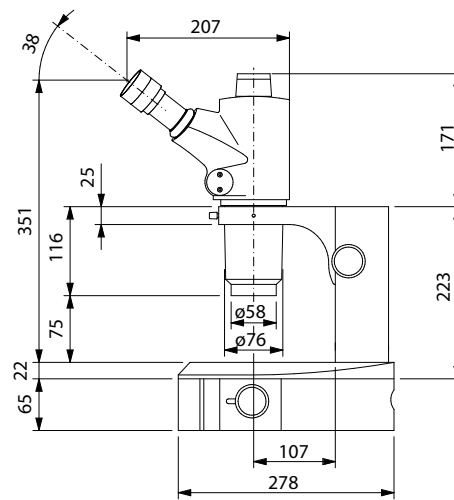


Dimensions in mm

Dimensions Leica S8 APO with incident light stand



with transmitted light stand



Dimensions in mm

Information material

All brochures in German, English, French, Spanish and Italian.
Please also visit our homepage: www.leica-microsystems.com

It provides the latest information and updates and numerous examples for the practical application of our stereomicroscopes in industry and science. You can also view, print and save any brochures and the latest manuals.

Leica StereoZoom® Greenough stereomicroscopes	M1-188-0
Leica S8 APO StereoZoom®, technology	M1-188-2
Leica S8 APO StereoZoom®, natural science	M1-188-3
Swing-arm stands	M1-217-1
Leica KL200 LED cold-light source	10IDA18010
Leica TL bases	10IDA20020
Leica LED3000 / LED5000 illuminator series	10IDA23010

Digital cameras & image processing/analysis software

Leica DFC295 FireWire color camera system	10IDC13010
Leica DFC425/425C FireWire color camera system	10IDC15010
Leica LAS Software information box	10IDI12010
Leica IC80 HD integrated high-definition microscope camera	10IDC14010
Leica F12 I Floor stand	10IDA13010

