

# MODEL 12

PRECISION OPEN FACE FLAT LAPPING MACHINE

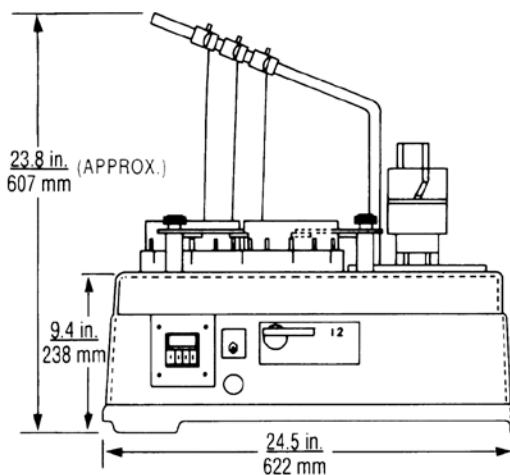
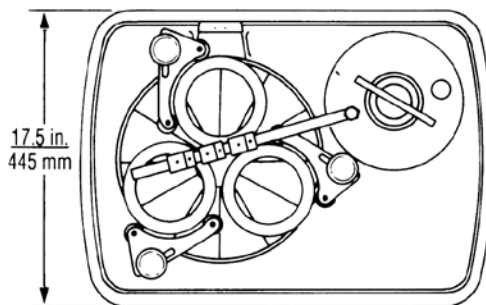


PLATE-DIAMETER 12" (305 MM)  
VERSIONS: 3 RINGS  
TYPE: SINGLE SIDED

## MEETING TODAY'S PRECISION SURFACING REQUIREMENTS

- ✓ Rigid cast aluminium base
- ✓ Three conditioning rings with roller yoke and bearing assemblies to facilitate in-process plate flatness control
- ✓ Abrasive feed system designed for water or oil based lapping slurries
- ✓ Automatic digital cycle timer
- ✓ Electrical system wired for various voltages 50/60 Hz, 1 phase (Ph) and 3 phase (Ph) to customer specification
- ✓ High torque drive unit with 1/3 hp / 0.25 kW motor and gear reducer

ACHIEVING HIGH STANDARDS OF FLATNESS AND SURFACE FINISH



Weight: 135 lbs/61 kg

## HIGHLIGHTS MODEL 12

### OPTIONAL FEATURES

- ✔ Soft-start (to cushion start-up)
- ✔ Electronic variable speed drive, 0-70 rpm
- ✔ Diamond slurry dispensing systems
- ✔ Various lapping / polishing plates
- ✔ Non-standard voltages
- ✔ Custom machines and tooling

### STANDARD SPECIFICATIONS

- High density, cast iron radially serrated lap plate 305 mm O.D. × 76 mm I.D. / 12" O.D. × 3" I.D.
- Three high density cast iron serrated conditioning rings 143 mm O.D. × 108 mm I.D. / 5<sup>5</sup>/<sub>8</sub>" O.D. × 4<sup>1</sup>/<sub>4</sub>" I.D.
- Three high density cast iron pressure plates with lifting eye-bolts 4<sup>3</sup>/<sub>16</sub>" dia. × 1<sup>1</sup>/<sub>4</sub>" thick / 106 mm dia. × 32 mm thick
- 12" / 305 mm hardened steel straight edge
- Three micarta workholder blank discs 4<sup>3</sup>/<sub>16</sub>" dia. × 1<sup>1</sup>/<sub>8</sub>" thick / 106 mm dia. × 3 mm thick
- Three pressure pads 4<sup>3</sup>/<sub>16</sub>" dia. × 1<sup>1</sup>/<sub>2</sub>" thick / 106 mm dia. × 13 mm thick
- Starter sample Lapmaster abrasive
- Starter sample Lapmaster vehicle
- Allen wrench
- Vinyl machine cover

### APPROXIMATE WEIGHT

- 135 lbs / 61 kg

### APPROXIMATE DIMENSIONS

- 24.5" × 17.5" × 23.8"  
622 mm × 445 mm × 607 mm

**GET IN TOUCH WITH US TODAY**  
**TOGETHER WE WILL FIND A SOLUTION**  
**FOR YOUR REQUIREMENTS**

### LAPMASTER WOLTERS

Phone: 1 877 352 8637

sales@lapmaster-wolters.com

www.lapmaster-wolters.com