

PRECISION PNEUMATIC LIFT FLAT LAPPING MACHINE


The Lapmaster Wolters model 72 is equipped with a 1829mm diameter lap plate. This is manufactured from Grade 300 grey cast iron to ISO 185(2005). It consists of individual segments bolted to a support plate.

Pressure weights are attached through self aligning bearings to the rods of the pneumatic cylinders. The cylinders are mounted on a framework located over the lap plate on two upright columns.

As this machine has no worktable, the roller yokes can be adjusted vertically as well as laterally, so that the normal wearing of the plate during prolonged usage can be accommodated.

The machine is intended for use with free abrasive compounds. A dispensing system, for use with water and diamond compounds etc., can also be fitted.

Flatness of the machines lap plate, and consequently of the work, is controlled by adjusting the position of the conditioning rings relative to the lap plate track.

The model 72 uses a cruciform shaped structural cast iron base. The mechanical reduction gearbox is mounted at the centre of the base, with the drive motor to one side. Drive is transmitted via a multi-vee belt, and the moving parts of the system are enclosed within a guard. At the end of each arm of the cross are mounted hollow section upright columns.

These columns support the trough surrounding the lap plate and provide the mounting point for each of the four roller yokes.

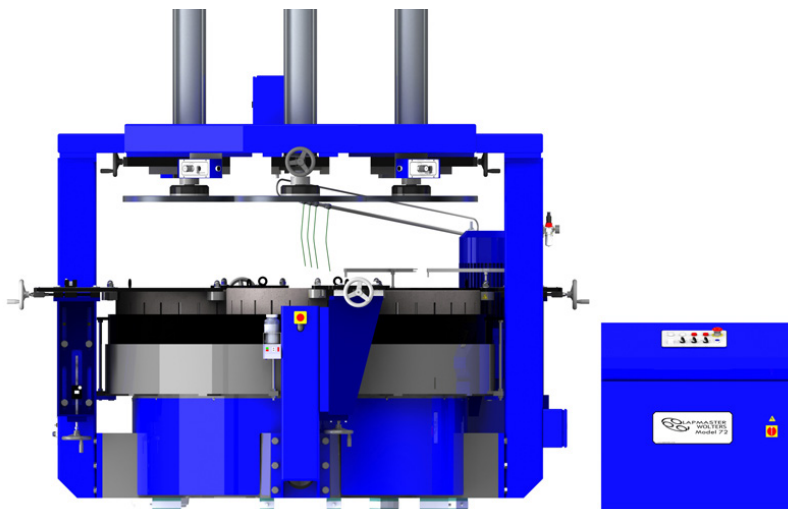
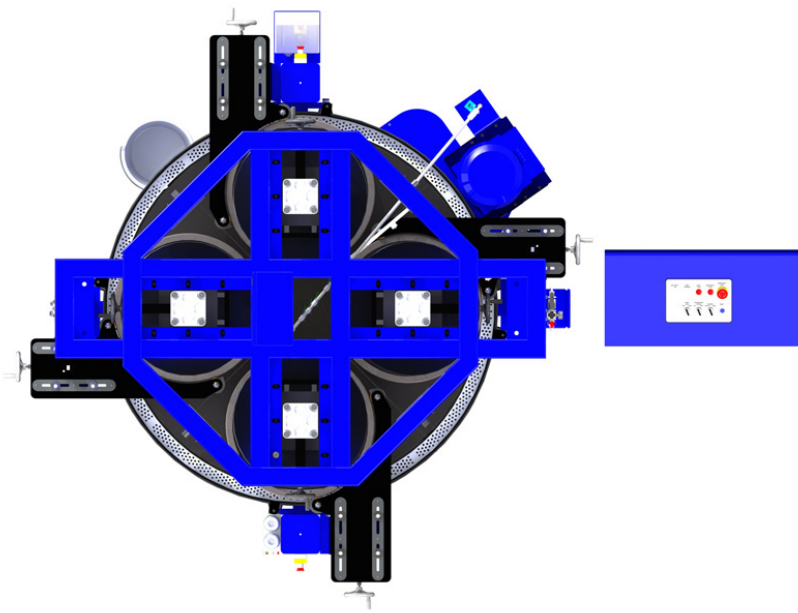
This machine is also available in a open face version. A datasheet is available on request.

STANDARD FEATURES

- Heavy duty floor standing base with integrally mounted drive motor, reduction gearbox, abrasive distribution system.
- Four conditioning rings, with adjustable, sealed roller bearing yoke assemblies to maintain lap flatness.
- Free standing abrasive system complete with pump and driven stirrer tank with multiple point distribution.
- High torque drive unit consisting of 15kW motor and reduction gearbox. Lap plate speed 30 rpm.
- Operator controls at 110V
- CE compliant.
- Electronic variable speed drive.
- Free standing operator panel with start / stop controls, and multiple range digital process timer.
- Waste bucket.

STANDARD TOOLING

- High density, cast iron segmented (serrated) lap plate. 1829mm O.D. (72") x 457mm I.D.
- Four high density cast iron serrated conditioning rings. 762mm O.D. x 692mm I.D.
- Four blank workholder discs.
- Operation and maintenance manual.



OPTIONAL TOOLING

- Solid stainless steel backing plates.
- Composite faced segments.
- Polishing pads.

OPTIONAL FEATURES

- Water cooled lap plate.
- Non-standard voltages.
- Stainless steel wetted parts.
- Peristaltic pump.
- Corporate colours.
- Fixed guarding.

APPROXIMATE WEIGHT

- 10,000 kg.

APPROXIMATE DIMENSIONS

(EXCLUDING CONTROL DESK)

- (w) 3026mm
- (d) 3073mm
- (h) 2764mm

SERVICES

- Electrical: 230/380V, 3 Phase, 50Hz.
- Air: 400 kPa / 4 bar minimum.
(if applicable).
- Water: 100 kPa / 1 bar minimum.
(if applicable).

LAPMASTER WOLTERS
501 W. Algonquin Rd. Mount Prospect, IL 60056
T: 224.659.7101 F: 224.659.7103
E:sales@lapmaster-wolters.com
www.lapmaster-wolters.com

