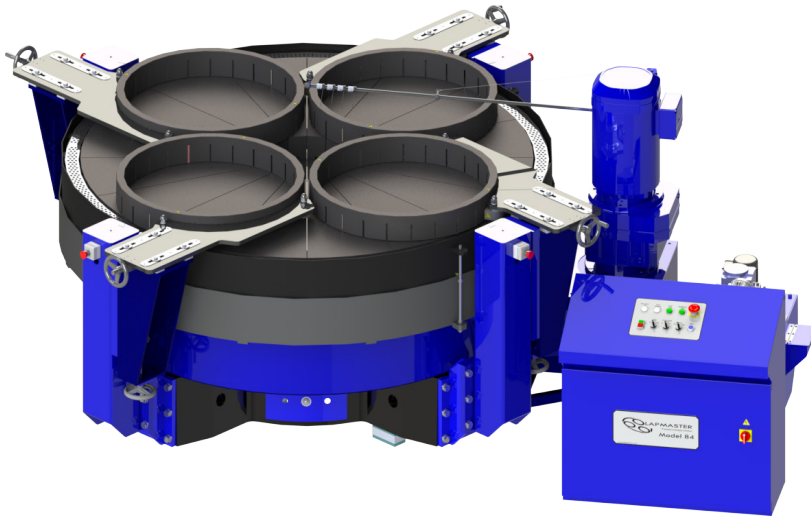


PRECISION OPEN FACE FLAT LAPPING MACHINE


The Lapmaster Wolters Model 84 is equipped with a 2134mm diameter lap plate. This is manufactured from Grade 300 grey cast iron to ISO 185(2005). It consists of individual segments bolted to a support plate.

Outlets are provided to feed each conditioning ring via a track wire, with individual control valves.

As this machine has no worktable, the roller yokes can be adjusted vertically as well as laterally, so that the normal wearing of the plate during prolonged usage can be accommodated.

Excess compound is returned to the reservoir via a sloping drain tube. This together with the constant agitations provided by the stirrer minimises the tendency of the abrasive grains to settle out in the vehicle.

The machine is intended for use with free abrasive compounds. A diamond dispensing system can also be fitted.

Flatness of the lap plate, and consequently of the work, is controlled by adjusting the position of the conditioning rings relative to the lap plate track.

The model 84 uses a cruciform shaped structural steel base. The mechanical reduction gearbox is mounted at the centre of the base, with the drive motor to one side. Drive is transmitted via multiple vee belts, and the moving parts of the system are enclosed within a mesh guard. At the end of each arm of the cross are mounted hollow section upright columns.

These columns support the trough surrounding the lap plate and provide the mounting point for each of the four roller yokes.

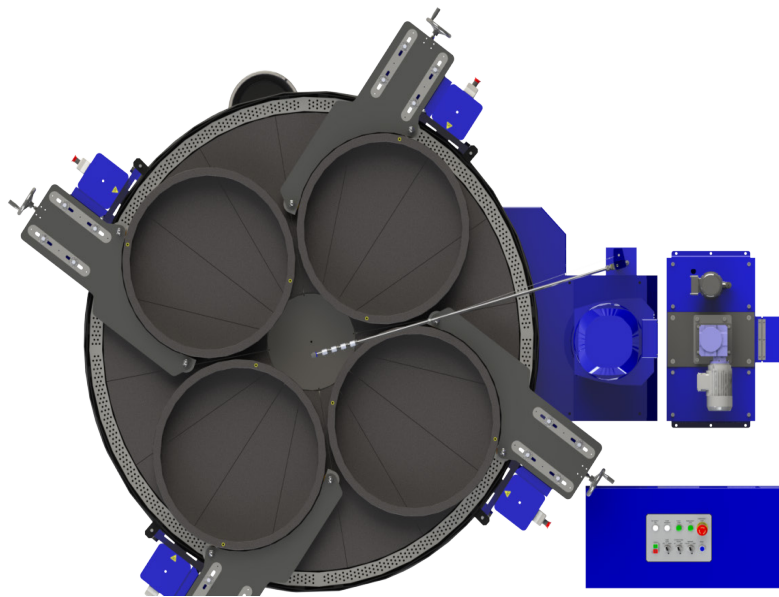
This machine is also available in a pneumatic lift version. See appropriate datasheet, available on request.

STANDARD FEATURES

- Heavy duty floor standing base with integrally mounted drive motor, reduction gearbox, abrasive distribution system, complete with control panel.
- Four conditioning rings, with adjustable, sealed roller bearing yoke assemblies to maintain lap flatness.
- Free standing abrasive system complete with pump and driven stirrer tank with multiple point distribution.
- Waste bucket.
- High torque drive unit consisting of 30kW motor and reduction gearbox. Lap plate speed 30 rpm.
- Operator controls at 110V.
- CE compliant.
- Electronic variable speed drive.
- Operator panel with start / stop controls, and multiple range digital process timer.

STANDARD TOOLING

- High density, cast iron segmented (serrated) lap plate. 2134mm O.D. x 455mm I.D.
- Four high density cast iron serrated conditioning rings. 889mm O.D. x 813mm I.D.
- Four blank workholder discs.
- Operation and maintenance manual.



OPTIONAL TOOLING

- Solid stainless steel backing plate.
- Composite faced plates.

OPTIONAL FEATURES

- Water cooled lap plate.
- Non-standard voltages.
- Stainless steel wetted parts.
- Peristaltic pump.
- Diamond dispensing system.

APPROXIMATE WEIGHT

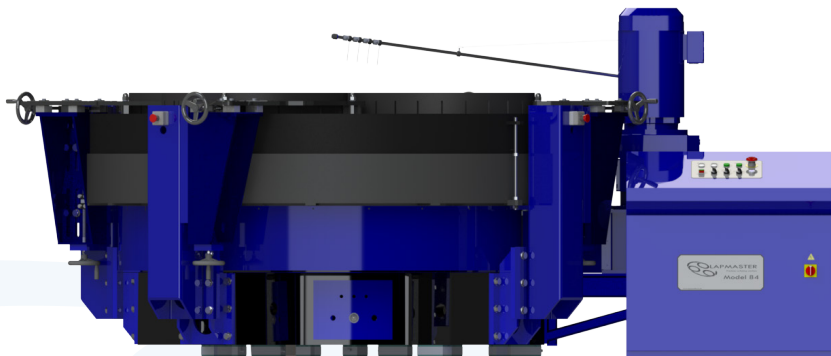
- 9000 kg.

APPROXIMATE DIMENSIONS

- (w) 2600mm
- (l) 2600mm
- (h) 1500mm

SERVICES

- Electrical: 380V/460V, 3 Phase
- Air: 4 bar (if applicable)
- Water: 1 bar (if applicable)



Lapmaster Wolters Ltd

International Lapping and Polishing Machine Systems

Lee Mill Industrial Estate, Ivybridge, Devon, PL21 9EN UK

T: + 44 (0)1752 893191 F: + 44 (0)1752 896355 E: sales@lapmaster-wolters.co.uk

www.lapmaster-wolters.co.uk

